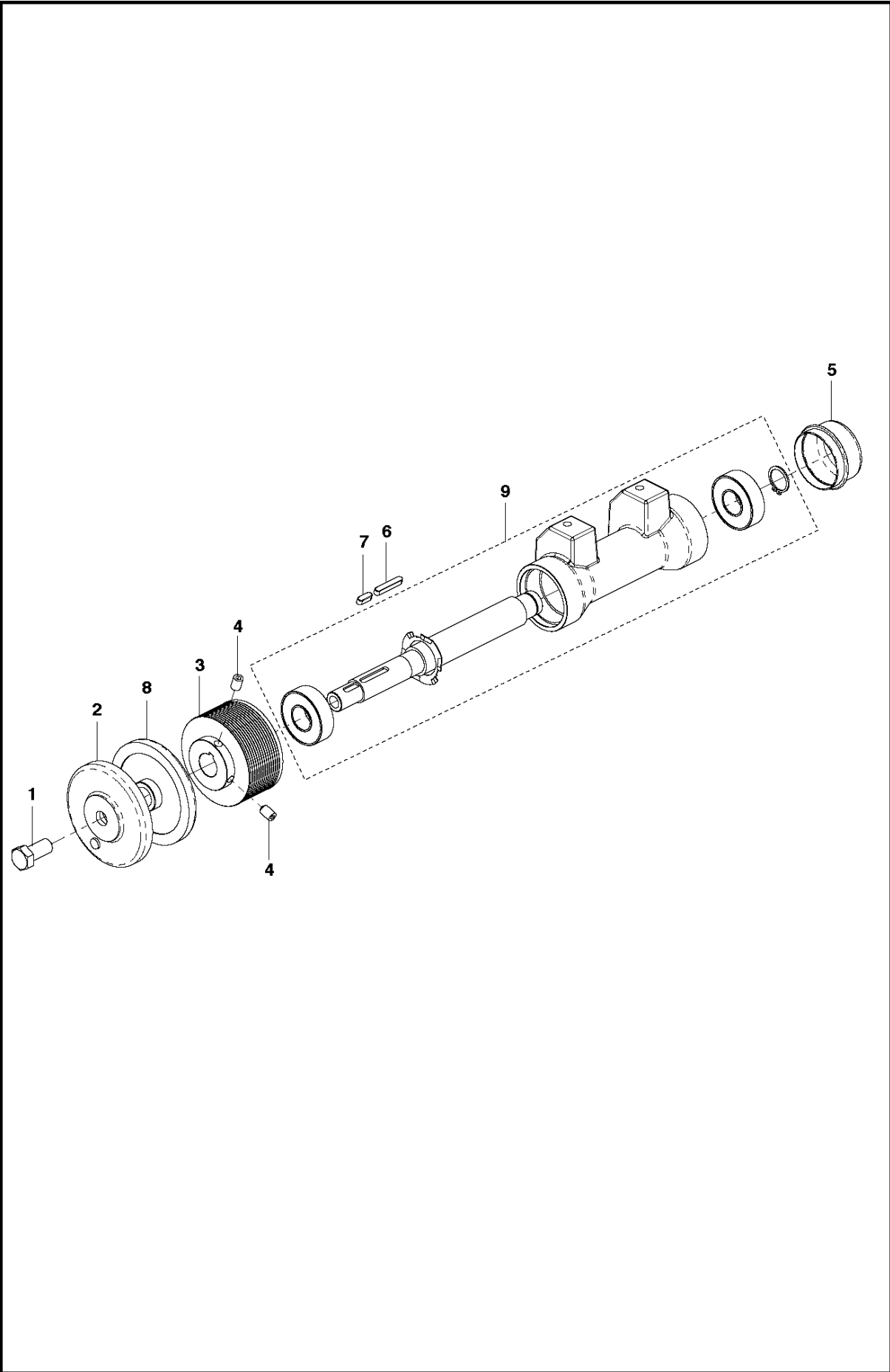




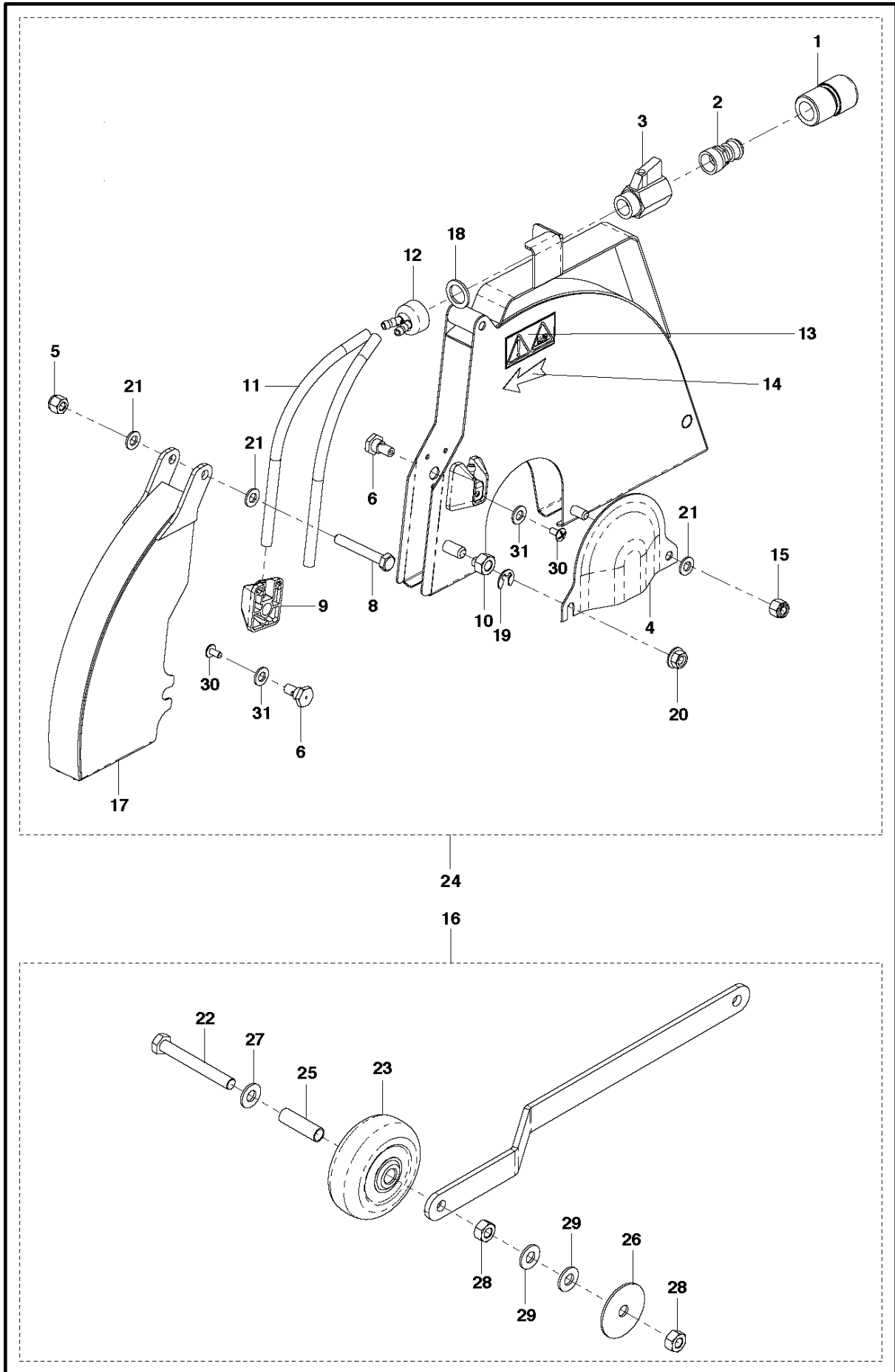
# SPARE PARTS LIST

FLOOR SAWS

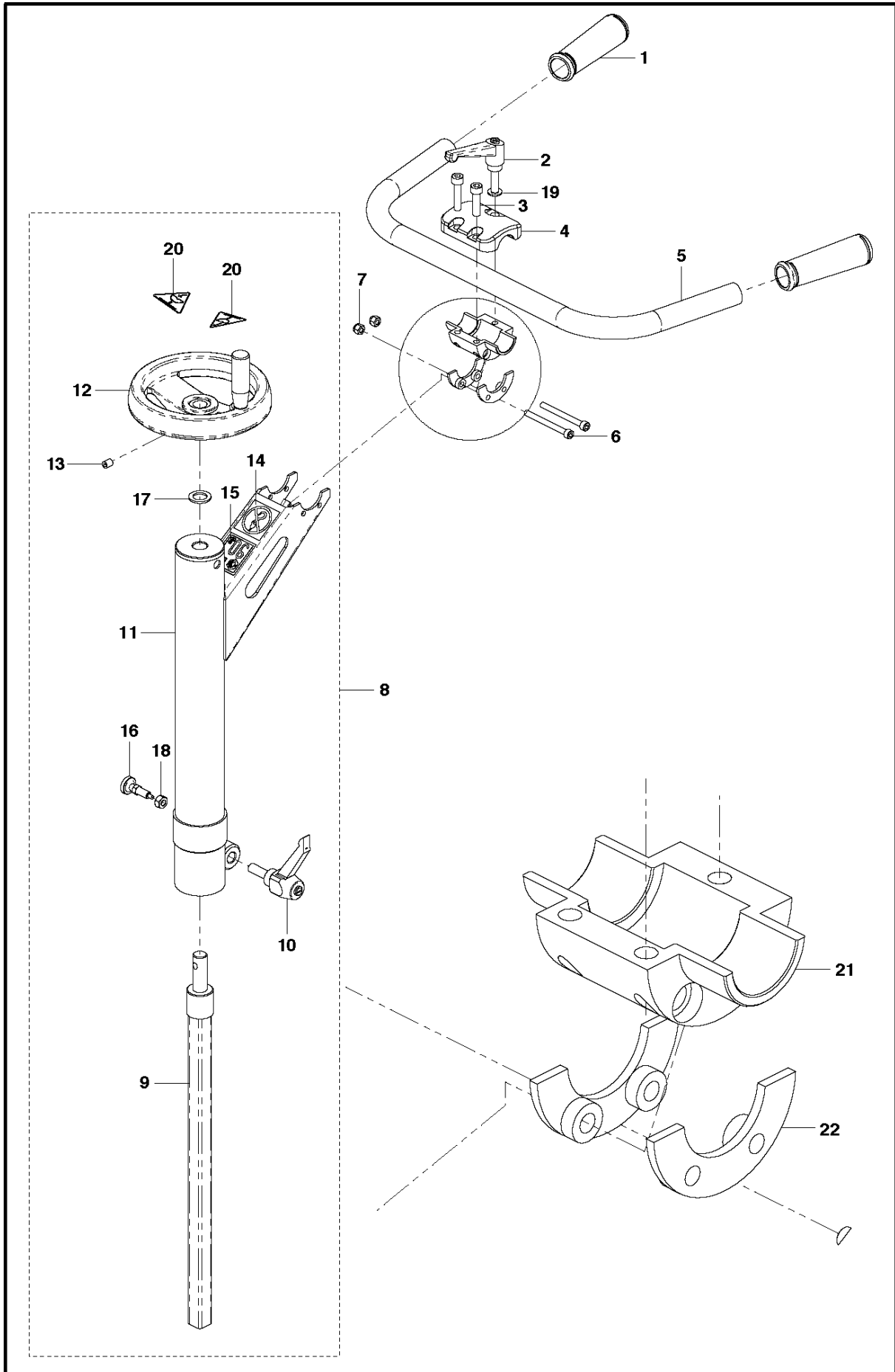
FS309, 2013-11



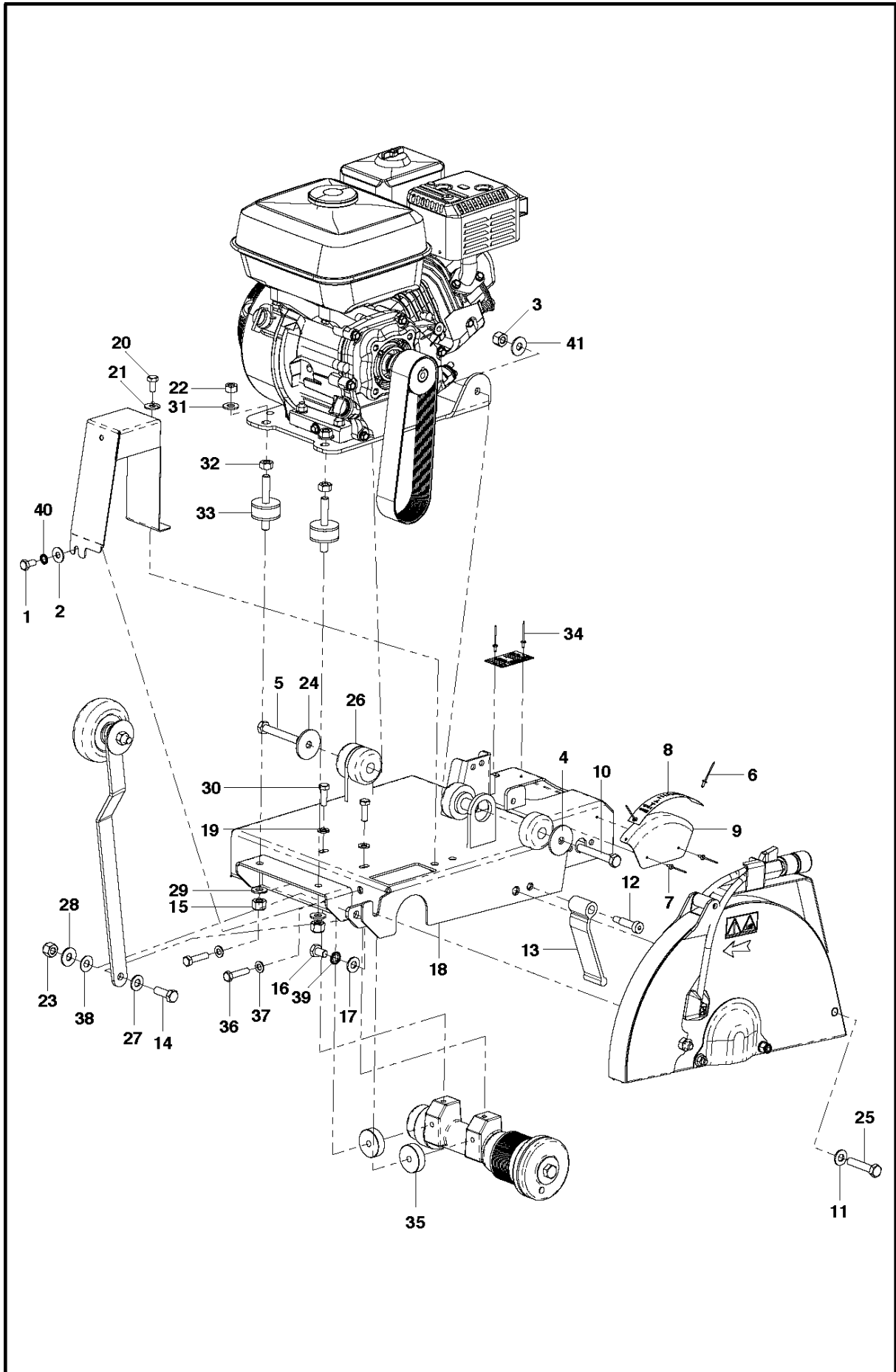
Ref	Part No	Description	Remark	QTY KIT
1	725 25 34-71	SCREW EHHM		1
2	504 06 40-01	FLANGE	EU	1
2	504 70 70-01	ASSEMBLY KIT	US	1
3	543 08 08-94	RECEIVING PULLEYFSX1	FS 305	1
3	543 08 32-68	POULIE RECEPTRICE GX270FS305	FS 309	1
4	728 84 47-05	SCREW IHSETM		2
5	539 10 25-35	COVER		1
6	543 04 47-83	CLAVETTE 5X5X30BOUT ROND/		1
7	543 85 03-67	FLAT KEY		1
8	543 08 08-89	KEYED FLANGEFSX1	EU	1
8	502 49 86-01	FLANGE	US	1
9	543 08 41-40	KIT BLADESHAFT FS300 SERIES		1



Ref	Part No	Description	Remark	QTY	KIT
1	543 04 56-12	RACCORD RAPIDE LAITON/D/15 535		1	24
2	543 04 56-10	ADAPT RAPIDE MALE 15X21/		1	24
3	543 04 55-39	ROBINET MINU-LUX 1/2 MXF/		1	24
4	543 08 23-17	COQUILLE DU CARTERFSX1		1	24
5	732 25 18-01	HEXAGON LOCKING NUT		1	24
6	543 08 12-72	JETFSX1		2	24
8	725 24 63-51	SCREW EHHM	US	1	24
8	725 24 62-51	SCREW EHHM		1	
9	543 08 12-71	TILTEFSX1		2	24
10	731 23 20-01	HEXAGON NUT		1	24
11	543 04 55-77	HOSE		2	24
12	543 08 12-74	SEPARATORFSX1		1	24
13	543 04 58-82	GRAPH. DANGER+RISQUE DE/COUPUR		1	24
14	543 85 00-37	STICKER		1	24
15	732 25 18-01	HEXAGON LOCKING NUT		1	24
16	543 08 41-41	KIT POINTER FS300 SERIES		1	
17	505 41 54-01	BLADE GUARD	US	1	24
17	501 97 65-01	BLADE GUARD		1	
18	501 38 75-01	SEALING		1	24
19	502 08 30-01	LOCK WASHER		1	24
20	731 71 18-51	HEXAGON NUT FLANGED		1	24
21	734 11 63-01	WASHER		3	24
22	725 25 07-71	SCREW		1	16
23	543 04 59-32	WHEEL		1	16
24	505 42 46-01	BLADE GUARD KIT	US	1	
24	543 08 41-39	KIT BLADEGUARD FS305		1	
25	542 20 20-75	BUSHING		1	16
26	542 20 21-06	WASHER		1	16
27	734 11 72-01	WASHER		1	16
28	731 23 20-01	HEXAGON NUT		2	16
29	734 11 72-01	WASHER		2	16
30	724 13 25-51	SCREW CRPANM		1	
31	734 11 46-01	WASHER		1	



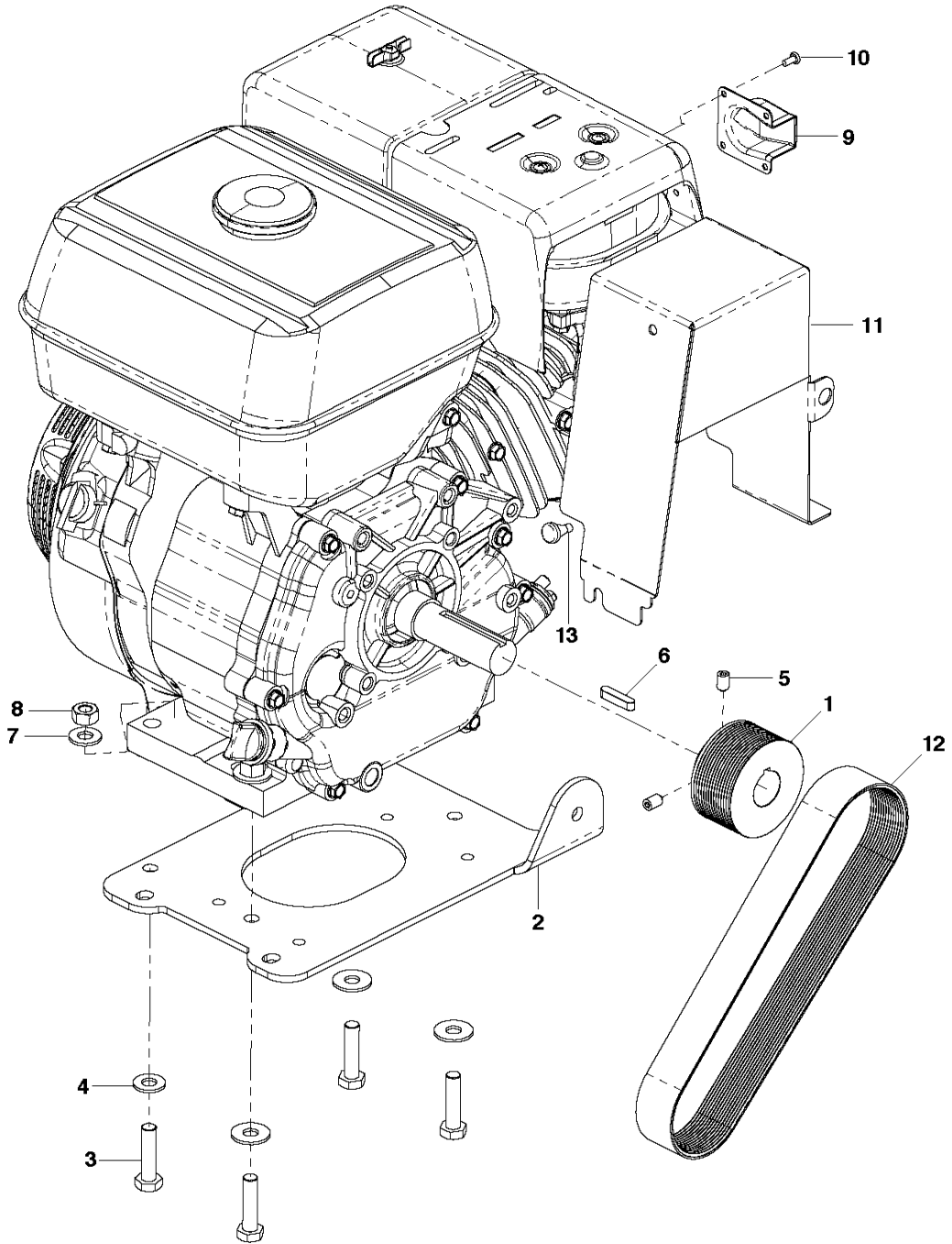
Ref	Part No	Description	Remark	QTY	KIT
1	542 13 95-68	FS902T GRIP/		2	
2	543 85 01-81	HANDLE		1	
3	725 54 55-01	SCREW IHSCM		2	
4	543 08 23-84	SUPPORT		1	
5	504 01 35-01	HANDLE		1	
6	725 53 83-01	SCREW IHSCM		2	
7	732 25 16-01	HEXAGON LOCKING NUT		2	
8	543 08 41-38	KIT HANDLE, UPPER PART FS300 S		1	
9	543 08 12-29	TRAINERFSX1		1	8
10	543 85 03-66	INDEXABLE HANDLE, M10X30		1	8
11	543 08 12-28	MOBIL HANDLEFSX1		1	8
12	543 08 08-92	WHEEL		1	8
13	728 74 45-05	SCREW IHSETM		1	8
14	543 07 24-95	STICKER		1	8
15	543 06 64-47	NOISE STICKER 90/		1	8
16	501 96 62-01	POSITION PIN		1	8
17	540 07 07-01	WASHER		1	8
18	731 28 18-01	NUT		1	8
19	734 11 63-01	WASHER		2	
20	505 42 66-01	LABEL		1	8
21	543 08 23-18	CYLINDRE DU BRANCARDFSX1		1	
22	543 08 23-10	PLOT ANTIVIBRATIONFSX1		2	



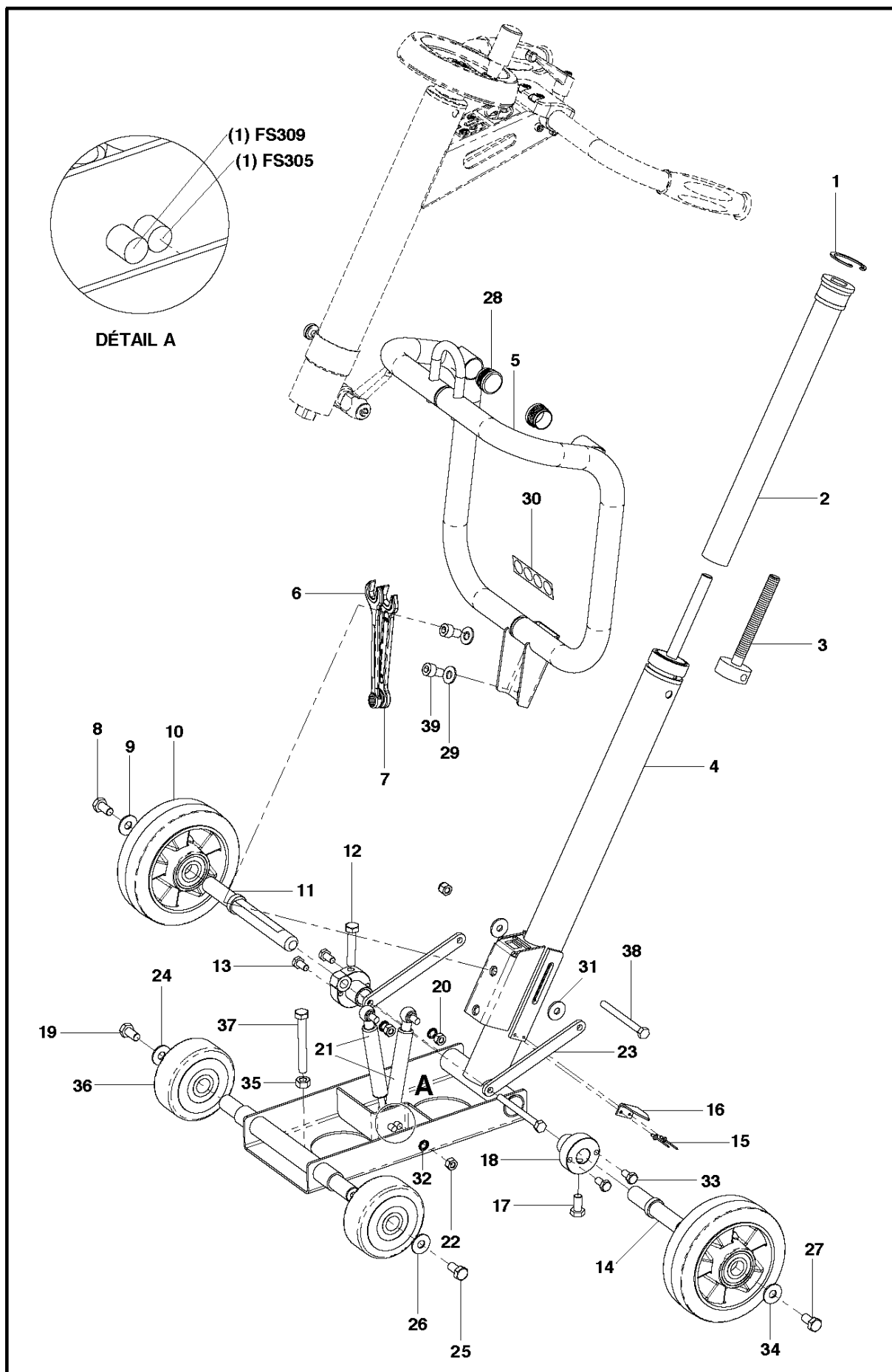


Ref	Part No	Description	Remark	QTY KIT
1	725 24 49-71	SCREW EHHM		1
2	734 11 65-41	WASHER		1
3	732 25 20-01	HEXAGON LOCKING NUT		2
4	543 08 12-36	WASHER		1
5	725 25 05-51	SCREW EHHM		1
6	722 78 18-03	BLIND RIVET		2
7	722 78 18-03	BLIND RIVET		2
8	543 08 26-89	STICKER		1
9	543 08 23-14	GUIDE DE PROFONDEURFSX1		1
10	725 25 01-51	SCREW EHHM		1
11	734 11 72-01	WASHER		1
12	541 20 82-79	HSHS M10 X 30		1
13	543 08 08-88	TITLEFSX1		1
14	725 24 95-71	SCREW EHHM		1
15	732 25 20-01	HEXAGON LOCKING NUT		1
16	725 24 89-71	SCREW EHHM		1
17	734 11 72-01	WASHER		1
18	543 08 12-25	CHASSIS		1
19	734 11 63-01	WASHER		2
20	725 24 49-71	SCREW EHHM		1
21	734 11 65-41	WASHER		1
22	731 23 20-01	HEXAGON NUT		2
23	732 25 20-01	HEXAGON LOCKING NUT		2
24	543 08 12-36	WASHER		1
25	725 25 05-51	SCREW EHHM		1
26	543 85 03-64	ISOLATOR, DUROMETER 65		2
26	504 00 43-01	ISOLATOR		2
27	734 11 72-01	WASHER		2
28	734 11 74-41	WASHER		2
29	734 11 72-01	WASHER		1
30	725 24 53-71	SCREW EHHM		2
31	734 11 72-01	WASHER		2
32	731 23 20-01	HEXAGON NUT		2
33	543 08 23-56	PLOT ELASTIQUEFSX1		2
34	722 78 18-03	BLIND RIVET		2
35	543 08 08-91	SPACER		2
36	725 24 57-71	SCREW EHHM		2
37	734 11 63-01	WASHER		2
38	543 04 47-32	RONDEL RESSOR 23X10,2X1/		1
39	735 21 73-01	LOCK WASHER		1
40	735 21 64-01	LOCK WASHER		1
41	734 11 74-41	WASHER		1

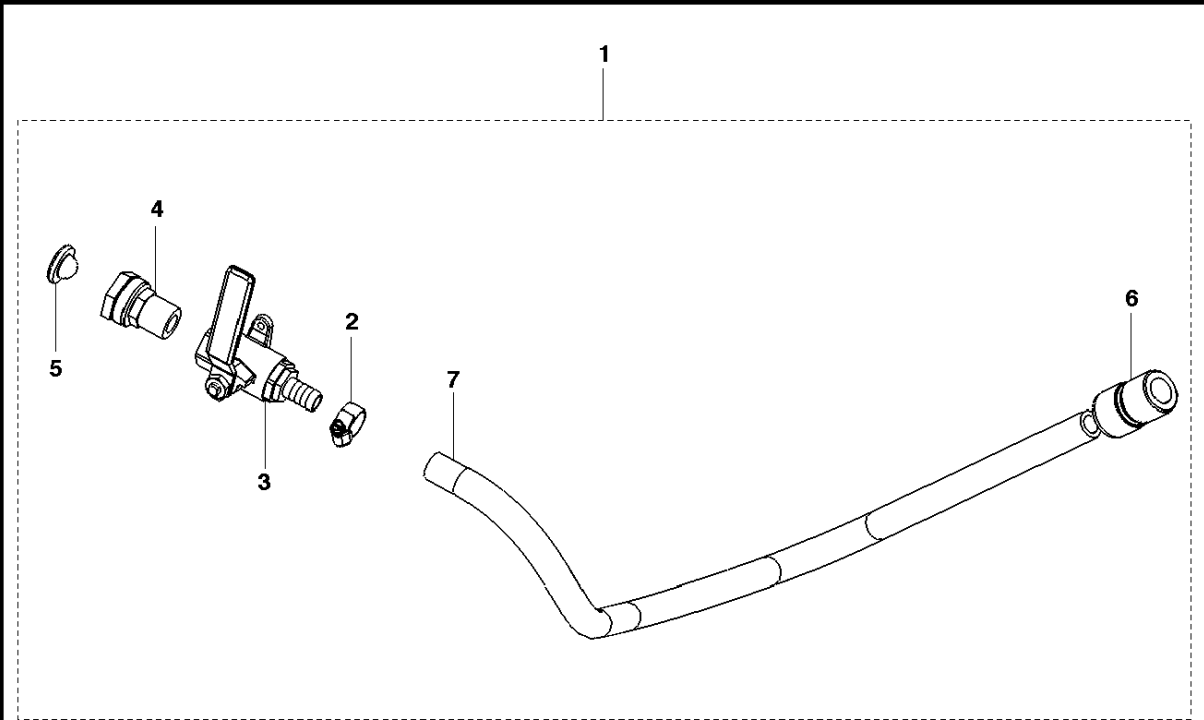
MOTOR FS 309



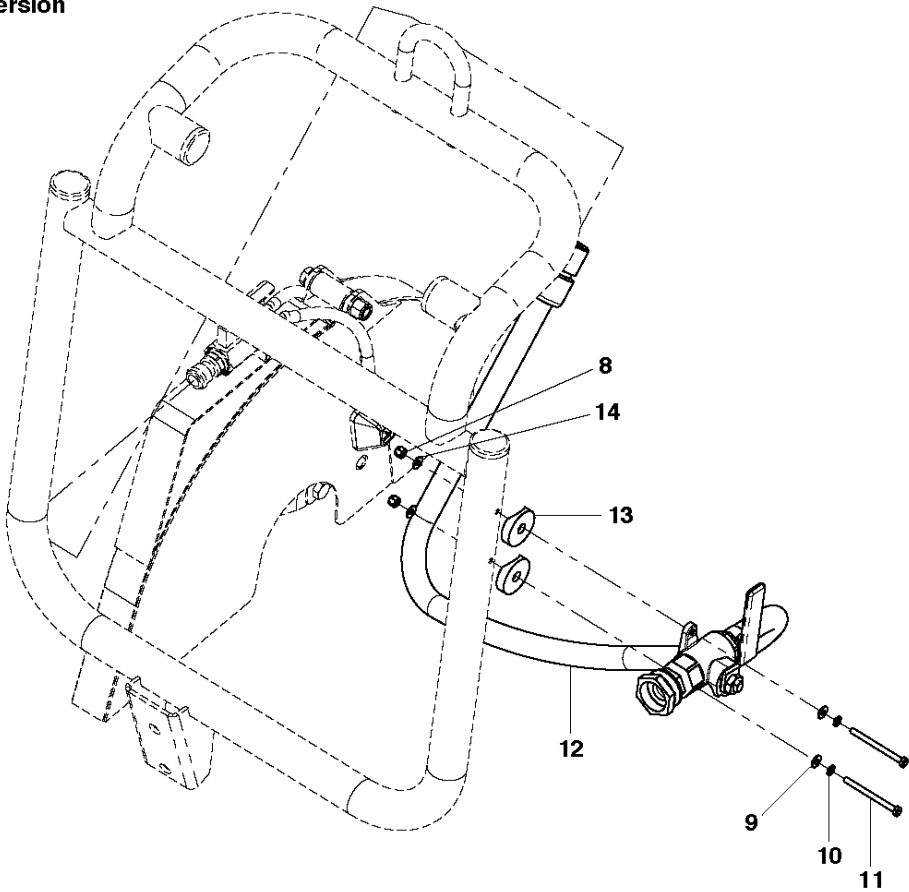
Ref	Part No	Description	Remark	QTY KIT
1	543 08 32-67	POULIE MOTRICE GX270FS305		1
2	543 08 12-31	MOTOR SUPPORTFSX1		1
3	725 24 99-71	SCREW EHHM		4
4	734 11 72-01	WASHER		4
5	728 84 47-05	SCREW IHSETM		2
6	543 04 47-84	CLAVET6,3X6,3X30BOUT RON/		1
7	734 11 72-01	WASHER		4
8	731 23 20-01	HEXAGON NUT		4
9	505 82 54-01	DEFLECTOR		1
10	505 82 55-01	TAPPING SCREW		1
11	543 08 33-87	CARTER DE COURROIEFS305		1
12	502 08 31-01	BELT		1
13	501 32 34-01	BUMPER		1



Ref	Part No	Description	Remark	QTY KIT
1	735 31 39-10	CIRCLIP		1
2	543 08 12-27	KEYFSX1		1
3	543 08 09-42	POST M14FSX1		1
4	504 01 34-01	CARRIAGE		1
5	586 97 81-01	LIFTING ARM		1
6	543 04 58-91	CLE FOURCH DIN894/13CHRO/		1
7	543 04 59-04	CLE FOURCHE DIN895/16/18/CHROM		1
8	725 24 91-71	SCREW EHHM		1
9	734 11 74-41	WASHER		1
10	543 04 59-50	WHEEL		2
11	543 08 09-15	REAR WHEEL AXLEFSX1		1
12	725 25 01-51	SCREW EHHM		1
13	725 24 49-71	SCREW EHHM		2
14	543 08 09-14	REAR WHEEL AXLEFSX1		1
15	722 78 18-03	BLIND RIVET		2
16	543 08 23-16	CURSEURFSX1		1
17	725 24 91-71	SCREW EHHM		1
18	543 08 09-16	BEARING		2
19	725 24 49-71	SCREW EHHM		2
20	731 23 18-01	HEXAGON NUT		1
21	543 85 03-65	GAS SPRING, 700 N		1
21	543 85 03-74	GAS SPRING, 800N		1
22	731 23 18-01	HEXAGON NUT		1
23	543 08 12-35	BIELLETTEFSX1		2
24	734 11 74-41	WASHER		1
25	725 24 91-71	SCREW EHHM		1
26	734 11 74-41	WASHER		1
27	725 24 91-71	SCREW EHHM		1
28	502 08 32-01	PLUG		2
28	502 08 32-01	PLUG		4
29	734 11 72-01	WASHER		2
30	543 04 58-53	GRAPHISME COMPO 97044/		1
31	543 04 48-98	PVC WASHER 8.4/25/2.5/		2
32	735 21 64-01	LOCK WASHER		2
33	725 24 91-71	SCREW EHHM		1
34	734 11 74-41	WASHER		1
35	731 23 20-01	HEXAGON NUT		1
36	543 04 59-48	WHEEL		2
37	725 25 07-51	SCREW EHHM		1
38	502 24 41-01	AXLE		2
39	725 54 89-01	SCREW IHSCM		2



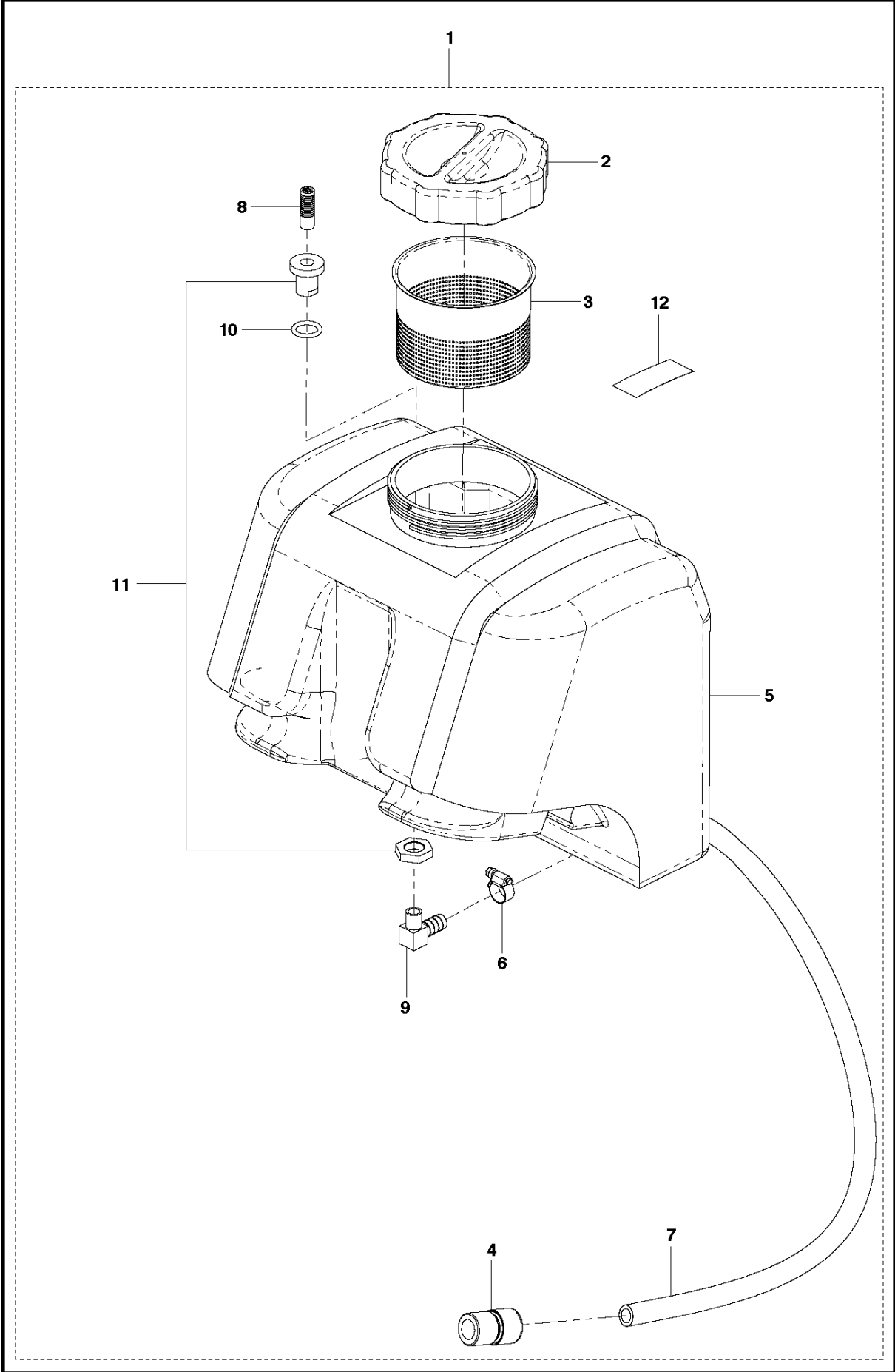
**FS309 US version**



## WATER SYSTEM

FS309, 2013-11

Ref	Part No	Description	Remark	QTY KIT
1	542 20 23-15	WATER. SIDE ASSY		1
2	543 85 03-44	CLIP, HOSE		1
3	542 13 95-37	VALVE. WATER. 1/2"		1
4	542 20 23-08	FITTING, SWIVEL 3/4 1/2 MALE		1
5	542 04 56-40	FS900T RING/		1
6	543 04 56-12	RACCORD RAPIDE LAITON/D/15 535		1
7	543 04 55-80	TUY TRICOCLAIR AL 12*18/	(lg. : 1m)	1
8	732 25 12-01	HEXAGON LOCKING NUT		2
9	734 11 36-01	WASHER		2
10	735 21 36-01	LOCK WASHER		2
11	725 23 05-71	SCREW		2
12	542 20 23-15	WATER. SIDE ASSY		1
13	542 20 21-84	WASHER		2
14	734 11 36-01	WASHER		2





## WATER TANK

FS309, 2013-11

Ref	Part No	Description	Remark	QTY KIT	
1	543 08 41-37	KIT WATER TANK FS300 SERIES		1	
2	504 12 27-01	HUB CAP		1	1
3	543 08 29-95	WATHER FILTERFS305		1	1
4	543 04 56-12	RACCORD RAPIDE LAITON/D/15 535		1	1
5	504 01 33-01	WATER TANK		1	1
6	543 85 03-44	CLIP, HOSE		1	1
7	543 04 55-80	TUY TRICOCLAIR AL 12*18/	Long = 0,45M	1	1
8	502 24 42-01	FILTER PLUG		1	1
9	543 85 01-31	FITTING 1/4 MALE 90DEG TO Ø12		1	1
10	542 19 61-83	O-RING		1	1
11	542 19 61-84	ASSY. TANK FITTING		1	1
12	542 19 06-17	DECAL		1	1