

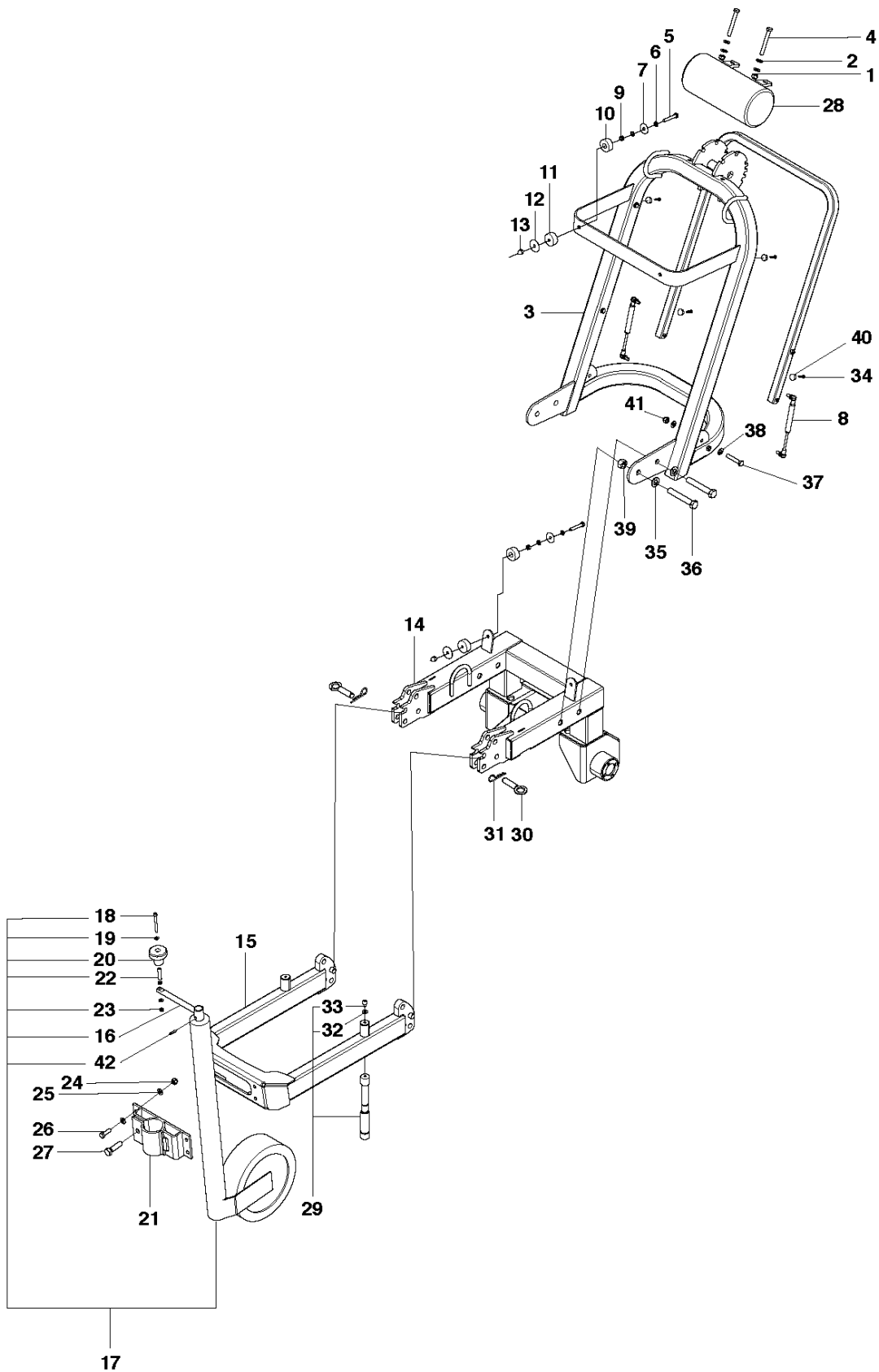


# SPARE PARTS LIST

SURFACE PREPARATION EQUIPMENT

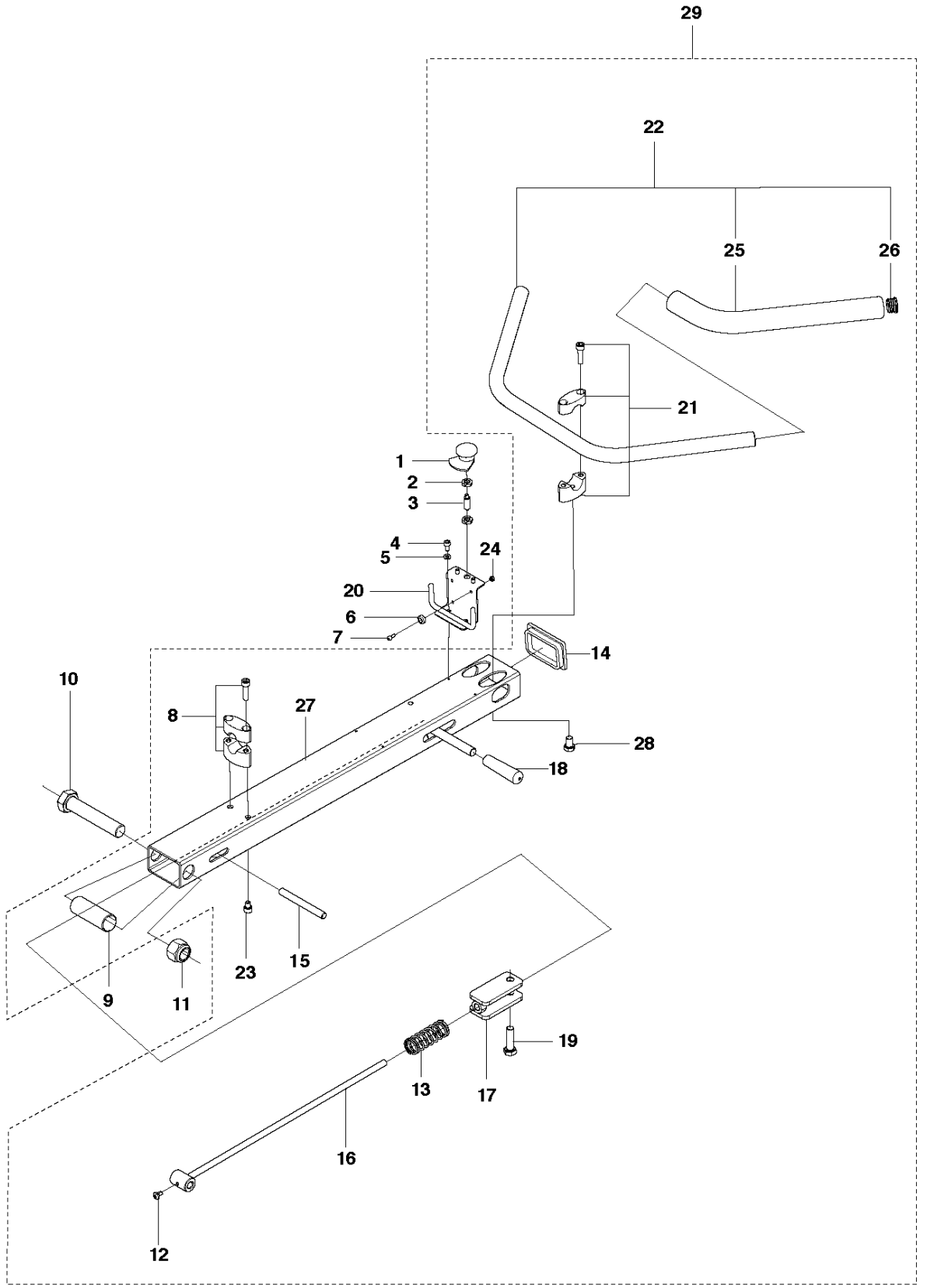
PG 680RC, 2016-04

**A** PG680 RC



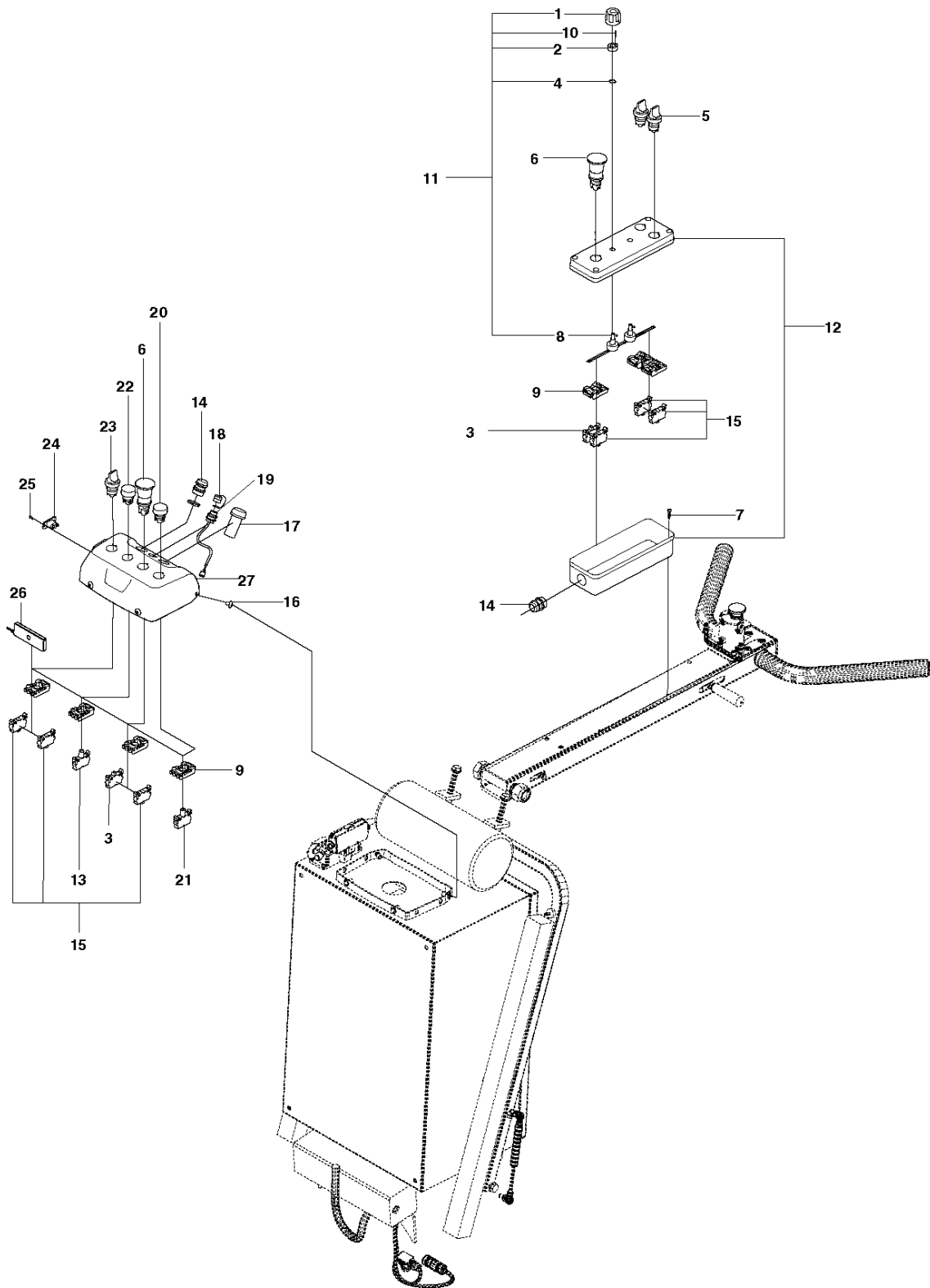
Ref	Part No	Description	Remark	QTY	KIT
1	732 25 20-01	HEXAGON LOCKING NUT		2	
2	734 11 72-01	WASHER		4	
3	588 09 16-01	CHASSIS		1	
4	725 25 07-51	SCREW EHHM		2	
5	725 24 61-71	SCREW EHHM		4	
6	735 21 64-01	LOCKWASHER		8	
7	504 74 73-01	WASHER		4	
8	502 54 47-11	GAS SPRING		2	
9	732 25 18-01	HEXAGON LOCKING NUT		4	
10	502 53 39-01	WASHER		4	
11	515 98 41-01	WASHER		4	
12	521 88 67-01	WASHER		4	
13	543 04 47-66	NUT		4	
14	588 27 22-01	CHASSIS		1	
15	582 19 25-01	SUPPORT WHEEL		1	
16	587 27 21-01	ARM		1	17
17	588 09 18-01	SUPPORT WHEEL		1	
18	725 53 82-05	SCREW IHSCM		1	17
19	734 11 52-01	WASHER		3	17
20	574 34 13-01	KNOB		1	17
21	587 20 33-01	BRACKET		1	
22	574 34 16-01	TUBE		1	17
23	732 25 16-01	HEXAGON LOCKING NUT		1	17
24	732 25 20-01	HEXAGON LOCKING NUT		4	
25	734 11 72-01	WASHER		8	
27	587 20 34-01	SCREW		1	
26	725 24 95-71	SCREW EHHM		4	
28	504 73 04-01	WEIGHT		1	
29	588 09 17-01	GAS SPRING		2	
30	504 72 97-01	PEN		4	
31	721 68 02-51	SPRING COTTER		4	
32	734 11 52-01	WASHER		2	29
33	725 53 62-01	SCREW IHSCM		2	29
34	521 88 65-01	SCREW		4	
35	734 11 86-01	WASHER		4	
36	505 75 13-01	PLUG		4	
37	725 25 02-51	SCREW EHHM		2	
38	734 11 72-01	WASHER		4	
39	731 23 24-01	HEXAGON NUT		2	
40	516 05 96-01	BUMPER		4	
41	732 25 20-01	HEXAGON LOCKING NUT		2	
42	721 43 43-00	SPRING PIN		1	17

**B** PG680 RC



Ref	Part No	Description	Remark	QTY	KIT
1	587 07 21-01	KNOB		1	
2	503 22 10-02	HEXAGON NUT		2	
3	587 20 71-01	ADJUSTMENT SCREW		1	
4	725 53 66-01	SCREW IHSCM		2	
5	734 11 52-01	WASHER		2	
6	587 22 31-01	PROTECTION		2	
7	725 52 89-01	SCREW IHSCM		2	
8	502 54 49-26	HANDLEBAR		1	
9	516 05 97-01	SLEEVE		1	
10	504 75 07-01	SCREW		1	
11	504 75 06-01	LOCK NUT		1	
12	724 13 64-51	SCREW CRPANM		1	
13	502 54 49-27	COMPRESSION SPRING		1	
14	516 05 90-01	HUB CAP		1	
15	516 05 93-01	PEN		1	
16	516 05 95-01	ROD		1	
17	502 54 49-05	BRACKET		1	
18	502 54 49-23	RUBBER COVER		1	
19	725 24 55-76	SCREW EHHM		1	
20	587 06 00-01	SHEET		1	
21	502 54 49-25	HANDLEBAR		2	
22	588 23 57-01	HANDLEBAR		1	
23	725 54 45-01	SCREW IHSCM		2	
24	732 25 12-01	HEXAGON LOCKING NUT		2	
25	502 54 49-22	RUBBER COVER		2	22
26	543 04 60-41	EMBOUT REF 320 GL 25/		2	22
27	502 54 49-02	HANDLEBAR ASSY		1	
28	725 24 89-76	SCREW EHHM		2	
29	575 64 67-01	HANDLEBAR		1	

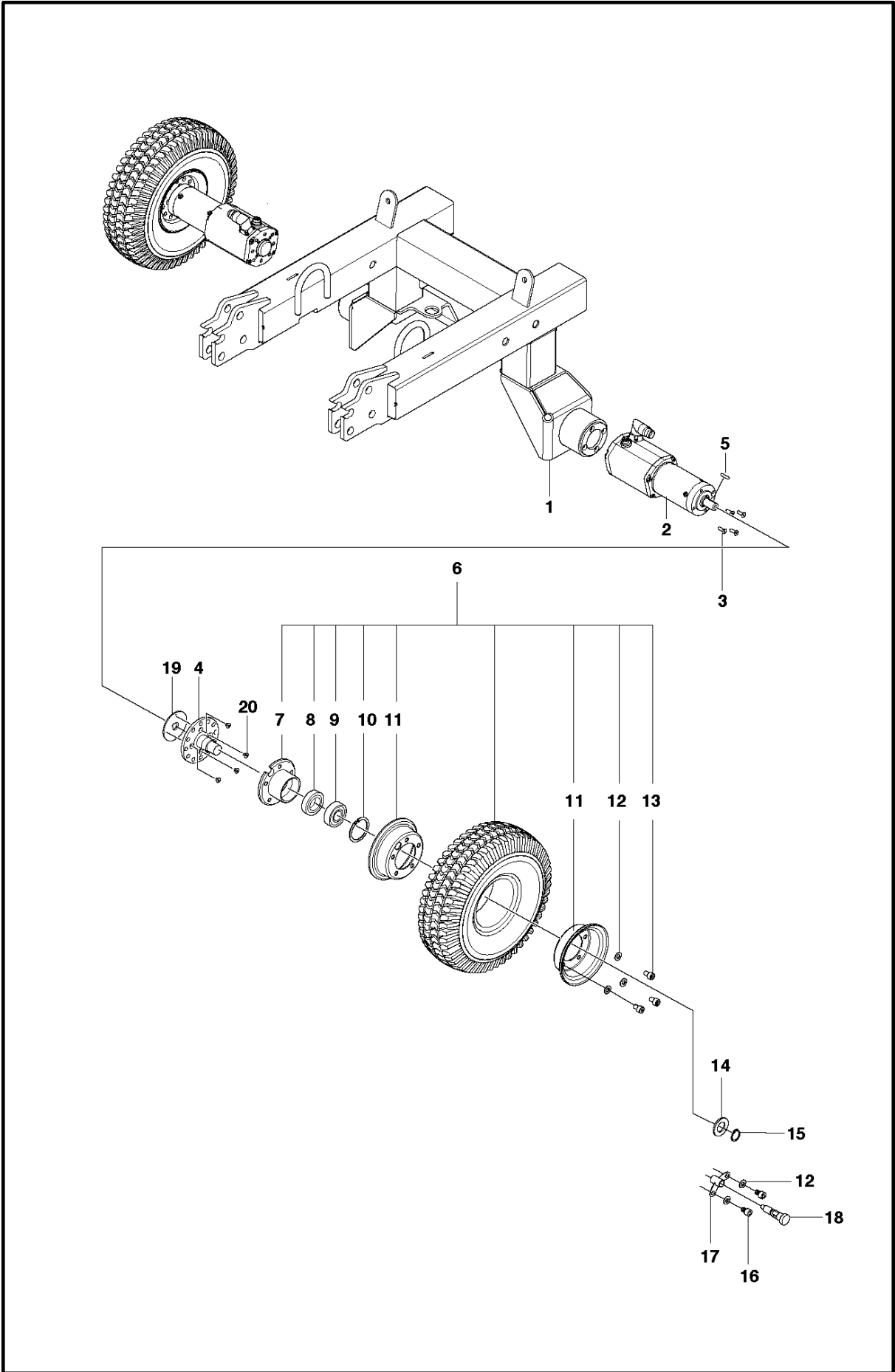
**C** PG680 RC



## CONTROLS

PG 680RC, 2016-04

Ref	Part No	Description	Remark	QTY	KIT
1	576 25 94-01	TURNING KNOB ASSY		2	11
2	586 99 01-01	NUT		2	11
3	510 43 14-01	CONTACT PLATE		1	
4	576 26 16-01	O-RING		2	11
5	585 59 27-01	SWITCH		2	
6	585 63 80-01	SWITCH		1	
7	504 75 20-01	SCREW CRCSFT		4	
8	587 27 88-01	POTENTIOMETER		2	11
9	585 63 76-01	HOLDER		3	
10	720 11 90-00	PARALLEL PIN		2	11
11	587 28 36-01	SWITCH		2	
12	586 71 87-01	ELECTRONIC BOX		1	
13	585 66 10-03	BLOCK		1	
14	587 10 12-01	GROMMET		2	
15	510 43 15-01	CONTACT PLATE		6	
16	504 75 89-02	SCREW IHANM		4	
17	587 25 91-01	BUZZER		1	
18	501 11 97-01	LID		1	
19	501 11 96-01	CONTACT		1	
20	585 58 18-03	LAMP		1	
21	586661004	TBD		1	
22	585 58 18-01	LAMP		1	
23	585 59 28-01	SWITCH		1	
24	586 72 17-01	CONNECTOR		1	
25	729 51 93-75	SCREW CRPANT		2	
26	587 18 95-01	ANTENNA		1	
27	582 11 42-01	ELECTRIC BOX		1	





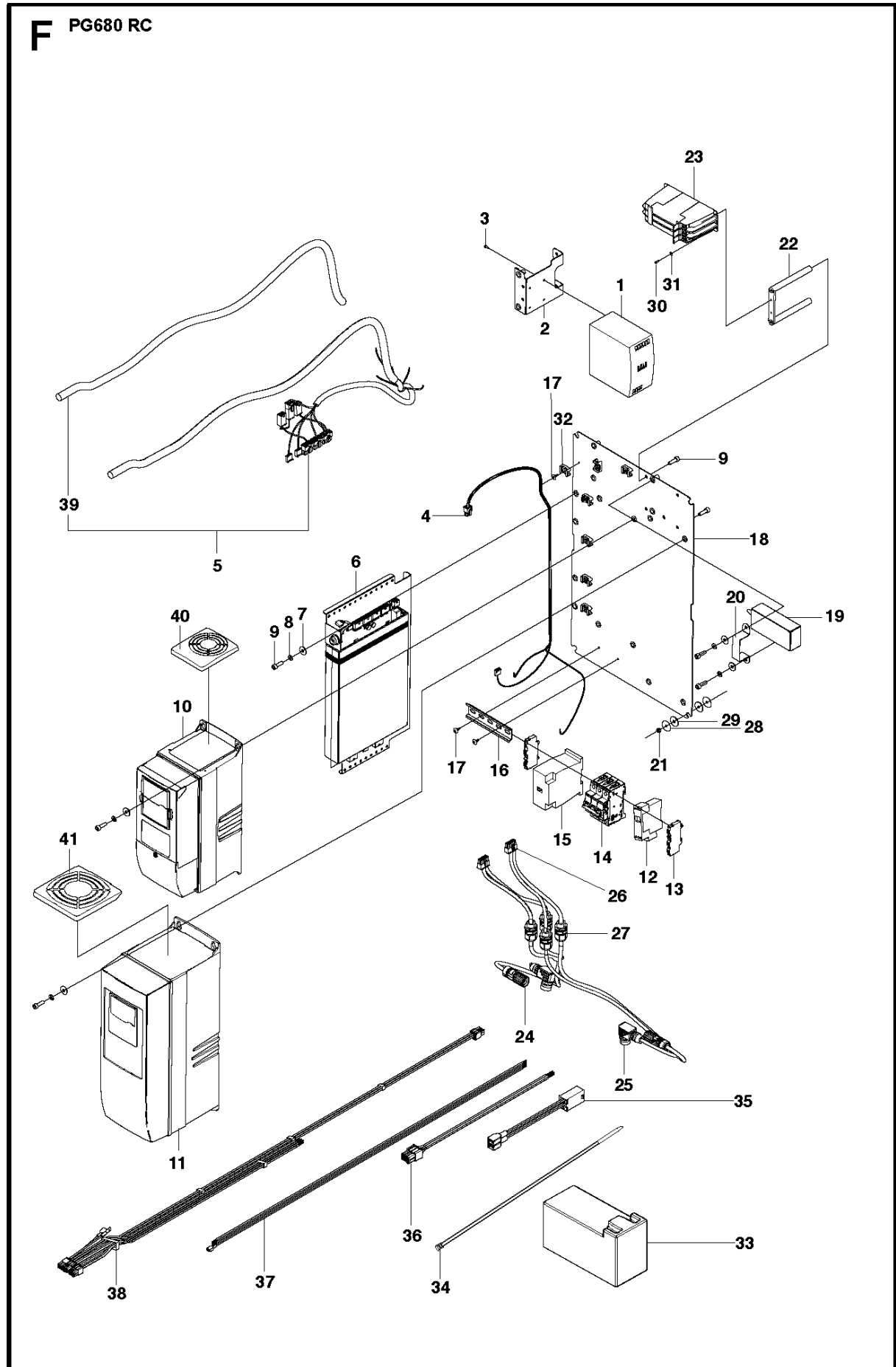
## WHEELS &amp; TIRES

PG 680RC, 2016-04

Ref	Part No	Description	Remark	QTY	KIT
1	588 27 22-01	CHASSIS		1	
2	586 73 23-01	GEARBOX ASSY		2	
3	589 03 16-01	SCREW		8	
4	589 75 68-01	AXLE		2	
5	590 26 20-01	KEY		1	
6	586 73 27-01	WHEEL		2	
7	586 73 40-01	RING		2	6
8	738 21 05-04	BALL BEARING		2	6
9	738 22 04-19	BALL BEARING		2	6
10	735 31 40-11	CIRCLIP		2	6
11	586 73 38-01	CLAMP		4	6
12	734 11 63-01	WASHER		10	6
13	725 54 47-01	SCREW IHSCM		6	6
14	590 00 58-01	WASHER		1	
15	735 31 22-00	CIRCLIP		2	
16	725 54 53-01	SCREW IHSCM		4	
17	587 71 60-01	ADAPTER		2	
18	587 78 98-01	SPRING PIN		2	
19	589 75 70-01	WASHER		2	
20	725 63 21-01	SCREW		8	

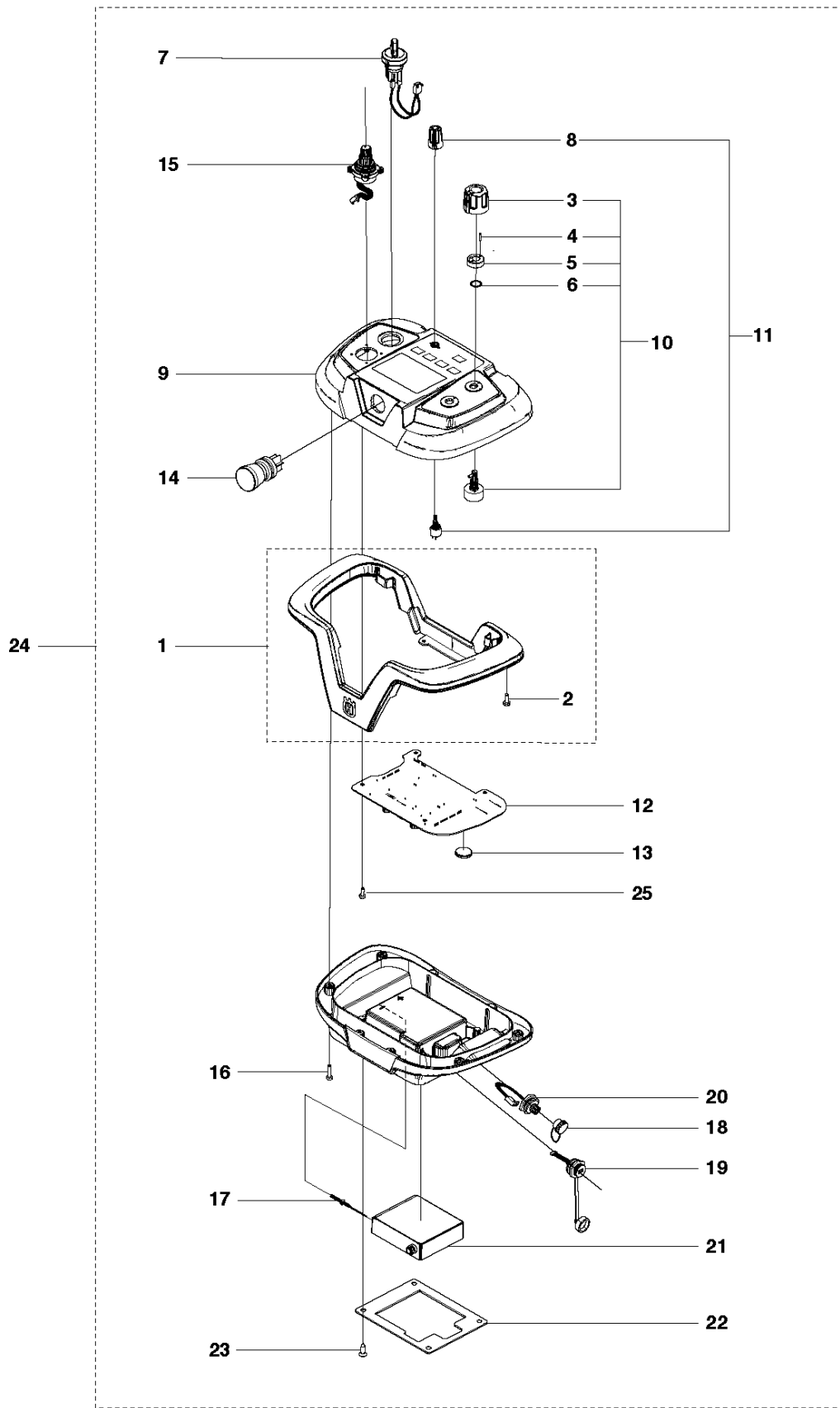


Ref	Part No	Description	Remark	QTY	KIT
1	724 12 93-51	SCREW CRPANM		12	
2	516 06 06-02	HOUSING		1	
3	504 76 25-01	CONNECTOR		1	
4	504 75 89-02	SCREW IHPANM		4	
5	516 05 98-01	LATCH		2	6, 10
6	574 44 10-01	ELECTRIC BOX		1	10
7	502 54 41-01	VENT		1	6, 10
8	501 73 98-01	HOUSING	CE	1	
8	516 06 04-01	HOUSING	US	1	
9	501 73 97-01	HOUSING	CE	1	
9	516 06 06-01	HOUSING	US	1	
10	588 23 71-01	ELECTRIC BOX		1	
11	516 06 07-01	CONNECTOR		1	
12	516 06 05-01	CONNECTOR		1	
13	732 25 12-01	HEXAGON LOCKING NUT		12	
14	734 11 36-01	WASHER		12	
15	735 21 36-01	LOCKWASHER		12	
16	588 79 72-01	DECAL		1	
17	525 48 88-01	DECAL		1	

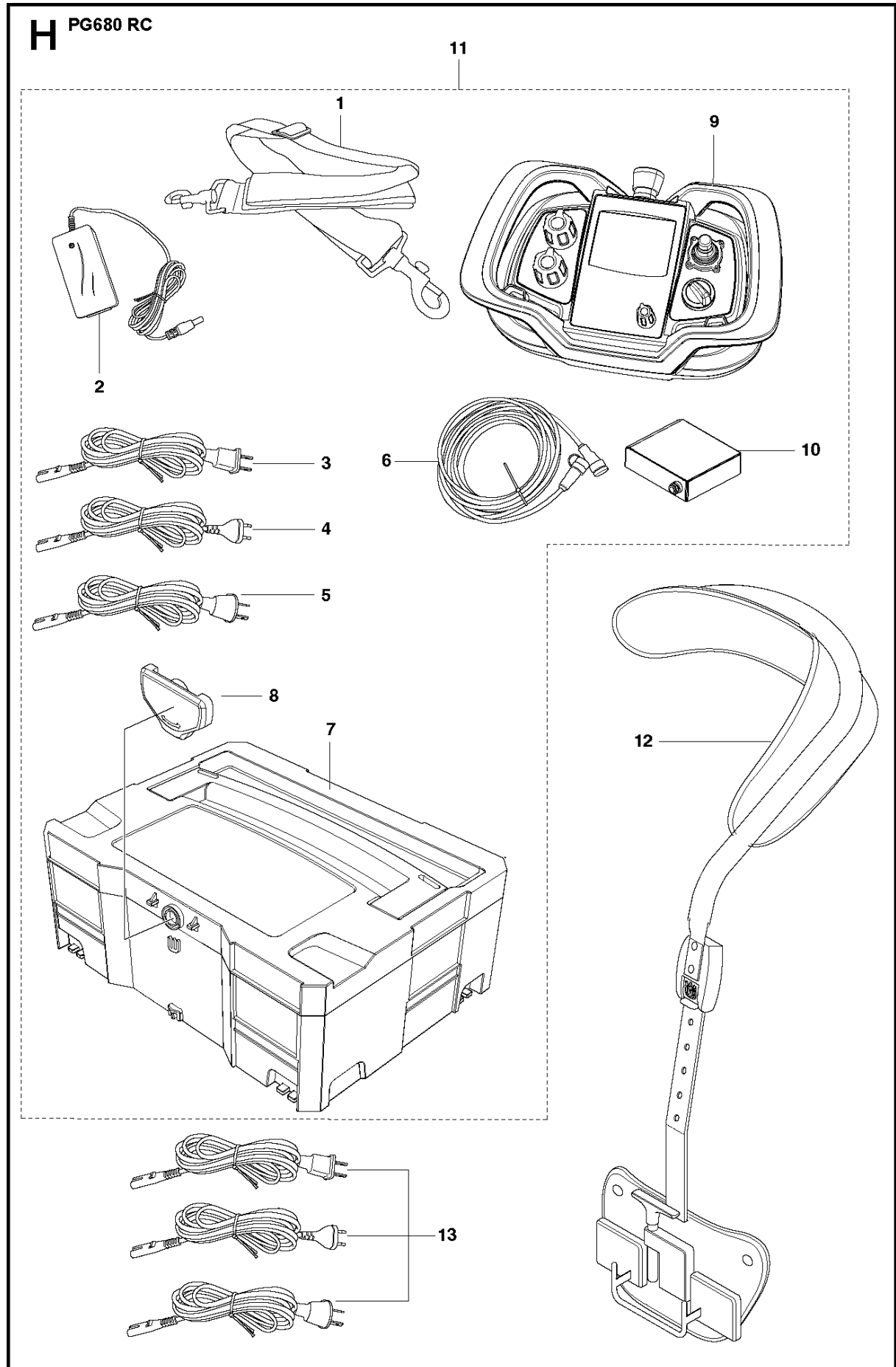


Ref	Part No	Description	Remark	QTY KIT
1	505 52 74-01	TRANSFORMER		1
2	586 81 29-01	BRACKET		1
3	525 88 89-02	SCREW CITXPANT		4
4	586 96 42-01	HARNESS		1
5	586 72 61-01	CABLE ASSY		1
6	586 81 28-01	CIRCUIT BOARD		1
7	734 11 54-41	WASHER		18
8	735 11 53-01	WASHER		18
9	725 53 70-51	SCREW IHSCM		18
10	502 54 26-03	FREQUENCY INVERTER		1
11	502 54 25-03	FREQUENCY INVERTER		1
12	522 86 92-01	RELAY		1
13	502 54 38-01	TERMINAL BLOCK		2
14	587 07 30-01	CIRCUIT BREAKER		1
15	502 54 36-01	CONTACTOR		1
16	586 85 28-01	RAIL		1
17	521 88 64-02	SCREW		9
18	586 81 33-01	PLATE		1
19	586 71 97-01	BATTERY CHARGER		1
20	586 81 30-01	BRACKET		1
21	732 25 18-01	HEXAGON LOCKING NUT		4
22	586 72 06-01	BRACKET		1
23	586 84 88-01	FILTER		1
24	586 87 57-01	CABLE ASSY		2
25	586 87 58-01	CABLE ASSY		2
26	586 71 88-01	CONNECTOR		2
27	522 66 03-01	GROMMET		4
28	521 88 67-01	WASHER		8
29	516 06 01-01	WASHER		8
30	725 52 87-01	SCREW IHSCM		4
31	735 11 36-01	SPRING WASHER 4.1X7.1		4
32	525 57 02-01	MOUNT		7
33	587 06 87-01	BATTERY		1
34	588 11 81-01	TIE STRAP		2
35	586 87 76-01	HARNESS	WIRING HARNESS - BATTERY	1
36	586 87 78-01	HARNESS	WIRING HARNESS - CONTACTOR	1
37	586 87 84-01	HARNESS	WIRING HARNESS - PSU PRIMARY	1
38	586 96 41-01	HARNESS	WIRING HARNESS - POWER SECONDARY	1
39	586 01 01-02	WIRING PROTECTION		1

**G** PG680 RC



Ref	Part No	Description	Remark	QTY	KIT
1	576 25 34-01	HANDLE ASSY		1	
2	578 77 61-01	SCREW ITXPANT		4	1
3	576 25 94-01	TURNING KNOB ASSY		2	10
4	720 11 90-00	PARALLEL PIN		2	10
5	576 26 14-01	NUT		2	10
6	576 26 16-01	O-RING		2	10
7	587 12 92-01	KNOB		1	
8	577 73 55-01	KNOB		1	
9	587 07 29-01	DISPLAY		1	
10	577 70 95-01	CONTROL		2	
11	577 70 94-01	CONTROL		1	
12	581 00 08-04	PRINTED CIRCUIT ASSY		1	
13	577 76 37-01	BATTERY		1	
14	576 81 51-01	SWITCH		1	
15	587 01 16-01	JOYSTICK		1	
16	578 77 61-02	SCREW ITXPANT		8	
17	577 71 10-01	SPRING PIN		2	
18	585 47 86-01	RUBBER PLUG		1	
19	586 14 66-02	CONTACT		1	
20	576 87 78-02	CONTACT		1	
21	510 10 91-01	BATTERY		1	
22	510 10 85-01	PLATE		1	
23	729 52 55-75	SCREW CRPANT		4	
24	576 25 92-01	REMOTE CONTROL		1	
25	729 52 55-75	SCREW CRPANT		1	



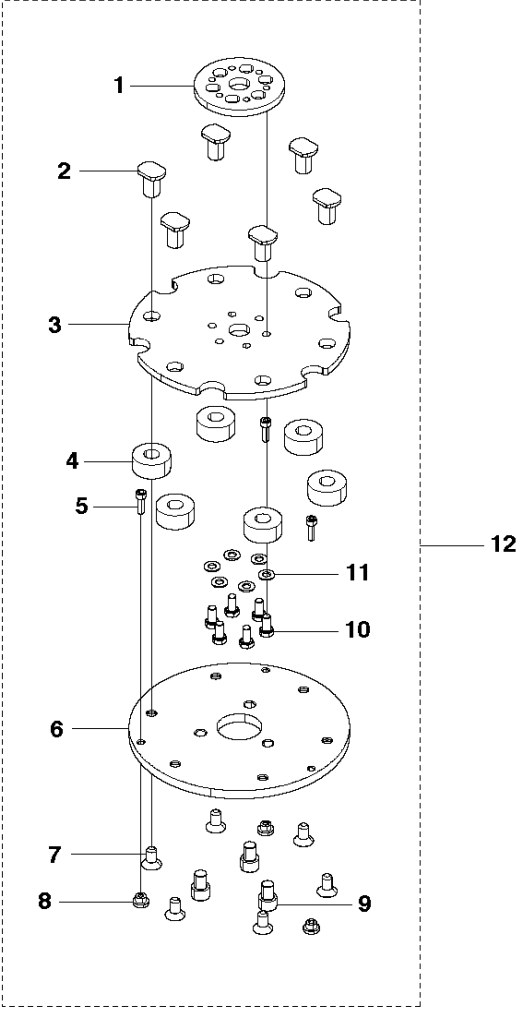


REMOTE CONTROL ACCESSORIES

PG 680RC, 2016-04

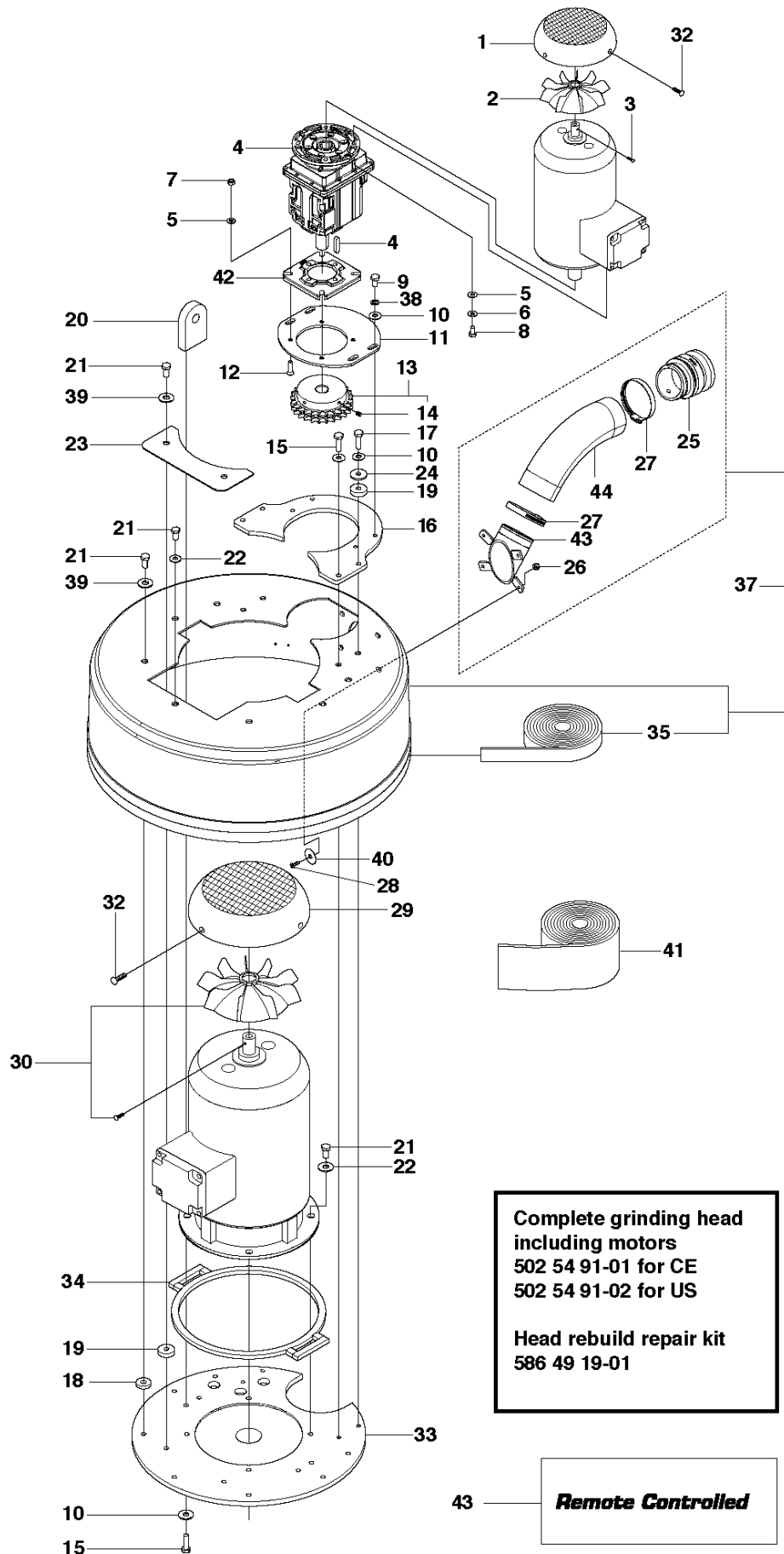
Ref	Part No	Description	Remark	QTY	KIT
1	506 29 76-02	STRAP		1	11
2	510 28 50-03	CHARGER		1	11
3	510 28 07-02	CABLE	CABLE US, 2 M	1	11
4	510 28 07-01	CABLE	CABLE EU, 2 M	1	11
5	510 28 07-04	CABLE	CABLE AU, 2 M	1	11
6	577 05 99-02	CABLE ASSY	CABLE ASSY	1	11
7	587 18 97-01	BOX		1	11
8	582 82 02-01	LOCK		1	11
9	576 25 92-01	REMOTE CONTROL		1	11
10	510 10 91-01	BATTERY		1	11
11	587 25 88-01	CONTROL UNIT		1	
12	510 28 00-01	HARNESS		1	
13	587 06 94-01	CABLE	CABLE MACHINE EU, 4 M	1	
13	587 06 94-02	CABLE	CABLE MACHINE US, 4 M	1	
13	587 06 94-03	CABLE	CABLE MACHINE AU, 1,8 M	1	

**J** PG680 RC

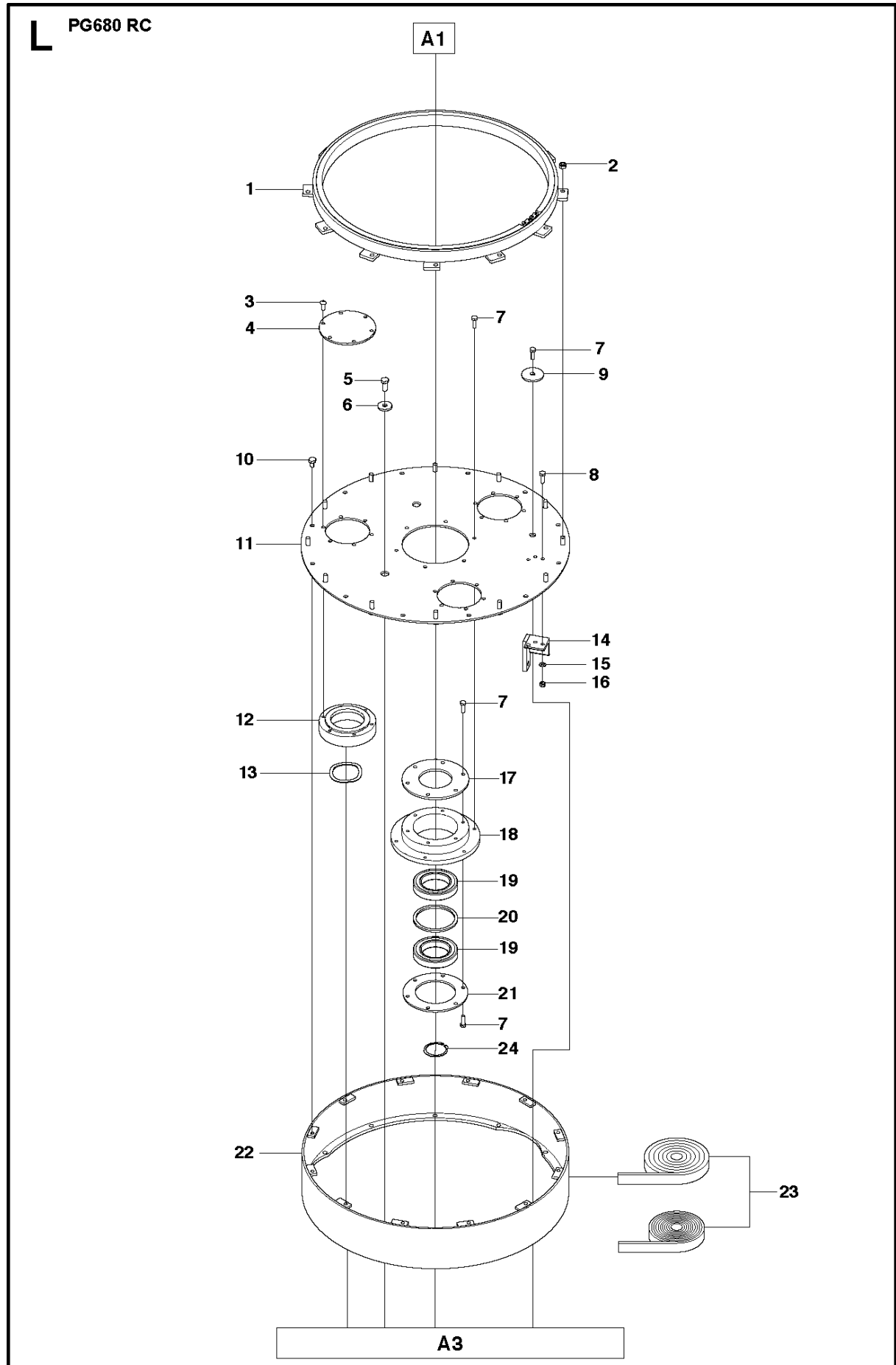


Ref	Part No	Description	Remark	QTY	KIT
1	502 53 40-06	HUB		1	1
2	522 65 98-03	PEN		6	1
3	575 74 54-01	PLATE		1	1
4	502 53 39-01	WASHER		6	1
5	725 53 70-51	SCREW IHSCM		3	1
6	575 74 52-01	PLATE		1	1
7	725 64 91-51	SCREW IHCSFM		6	1
8	502 53 44-01	LOCK		3	1
9	504 74 84-01	SCREW IHSCM		3	1
10	725 24 49-76	SCREW EHHM		6	1
11	734 11 63-01	WASHER		6	1
12	502 54 78-01	GRINDING HEAD		1	

**K** PG680 RC



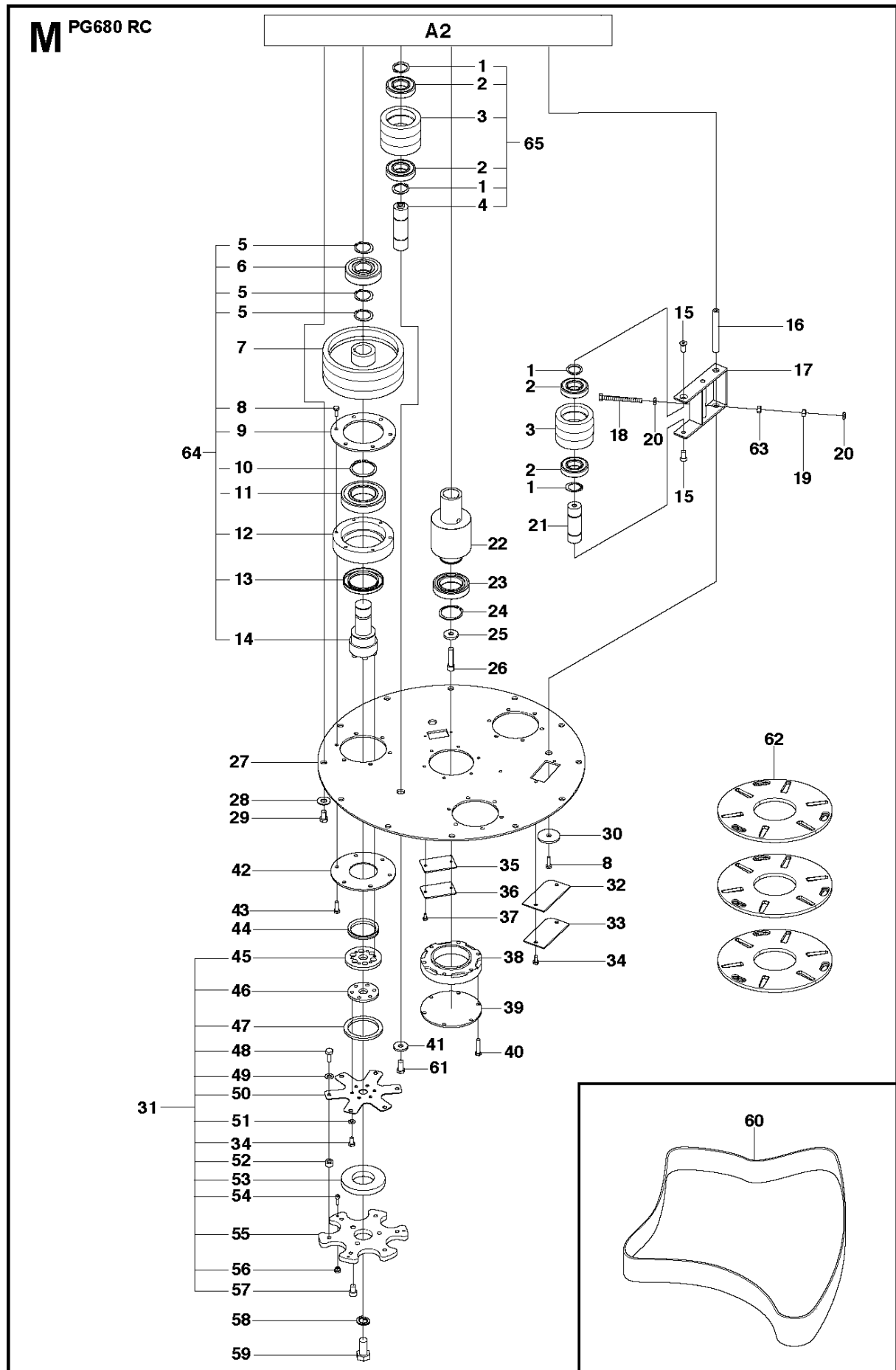
Ref	Part No	Description	Remark	QTY	KIT
1	516 05 68-01	COVER		1	
2	516 05 70-01	FAN		1	
3	516 05 71-01	PEN		1	
4	502 53 56-01	GEARBOX		1	
5	734 11 63-01	WASHER		10	36
6	735 11 64-01	SPRING WASHER		8	
7	732 25 18-01	HEXAGON LOCKING NUT		6	36
8	725 24 53-76	SCREW EHHM		6	36
9	725 24 91-76	SCREW EHHM		4	
10	734 11 72-01	WASHER		12	
11	502 53 81-01	PLATE		1	
12	725 64 53-51	SCREW IHCSFM		4	
13	502 54 24-01	DRIVE SPROCKET		1	
14	728 54 51-05	SCREW IHSETM		2	13
15	725 24 97-71	SCREW EHHM		6	
16	502 55 15-01	BRACKET		1	
17	725 25 02-51	SCREW EHHM		2	
18	504 72 63-04	WASHER		11	
19	504 72 63-03	WASHER		4	
20	504 72 90-01	LIFTING LUG		2	
21	725 25 34-71	SCREW EHHM		13	
22	734 11 78-01	WASHER		5	
23	504 72 93-01	COVER PLATE		1	
24	504 72 95-01	WASHER		2	
25	502 56 96-03	COUPLING		1	36
26	732 25 16-01	HEXAGON LOCKING NUT		4	36
27	502 56 96-05	HOSE CLAMP		2	36
28	724 33 70-51	SCREW CRCSFM		4	
29	516 05 72-01	COVER		1	
30	516 05 73-01	FAN		1	
32	723 13 20-51	SCREW SLCHM		7	
33	502 55 11-01	PLATE		1	
34	516 05 78-02	SEAL		1	
35	502 53 85-01	COVER		1	37
37	588 77 01-01	COVER		1	
38	735 11 73-01	SPRING WASHER		4	
39	504 74 83-01	WASHER		8	
40	504 74 73-01	WASHER		2	
41	590 49 92-02	RUBBER SKIRT		1	
42	587 04 09-01	MOUNTING PLATE		1	
43	588 76 83-01	ADAPTER		1	
44	588 80 41-01	HOSE		1	
502 54 91-01	502 54 91-01	GRINDING HEAD		1	
502 54 91-02	502 54 91-02	GRINDING HEAD		1	
586 49 19-01	586 49 19-01	REPAIR KIT		1	



## GRINDER

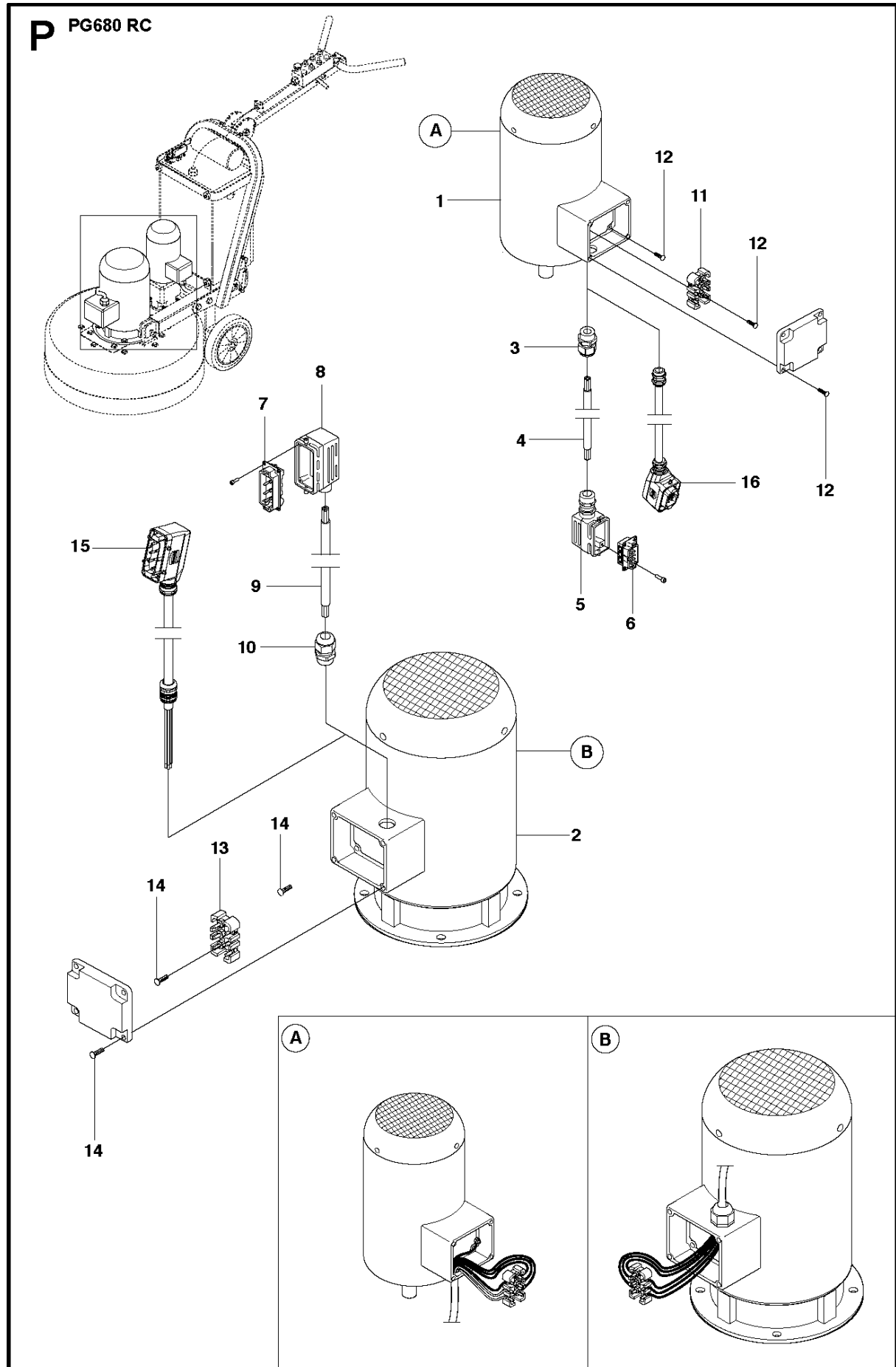
PG 680RC, 2016-04

Ref	Part No	Description	Remark	QTY KIT
1	502 55 21-01	CHAIN		1
2	732 25 20-01	HEXAGON LOCKING NUT		12
3	504 75 02-01	SCREW IHANM		18
4	502 53 79-01	COVER PLATE		3
5	725 25 34-71	SCREW EHHM		2
6	504 72 95-01	WASHER		2
7	725 24 51-76	SCREW EHHM		19
8	725 24 53-76	SCREW EHHM		3
9	543 04 66-47	WASHER		1
10	725 24 89-76	SCREW EHHM		12
11	502 55 09-01	TOP PLATE		1
12	502 53 71-01	BEARING HOUSING		3
13	502 53 99-01	WAVE WASHER		3
14	504 72 99-01	STRUT		1
15	734 11 63-01	WASHER		3
16	732 25 18-01	HEXAGON LOCKING NUT		3
17	504 72 82-01	PLATE		1
18	502 53 72-01	BEARING HOUSING		1
19	502 53 89-01	BALL BEARING		2
20	504 72 88-01	SPACER		1
21	504 72 81-01	PLATE		1
22	502 55 18-01	RIM		1
23	582 31 86-02	SEAL KIT		1
24	502 53 90-01	CIRCLIP		1





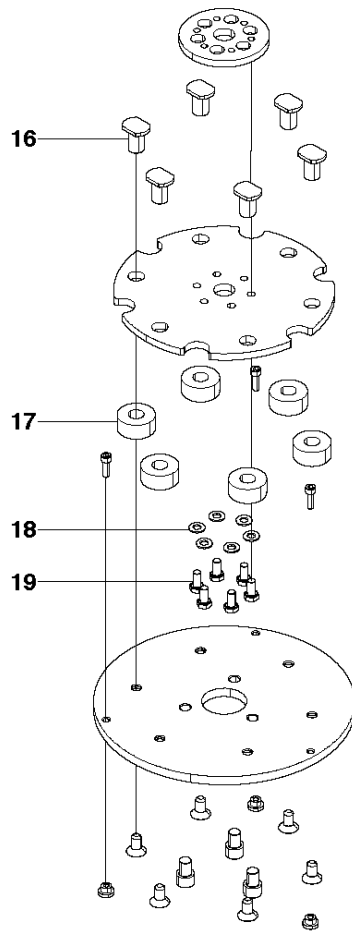
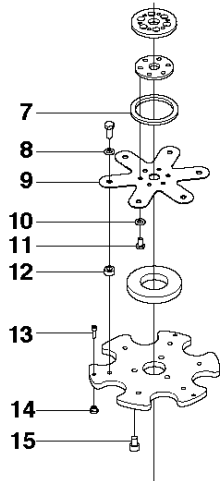
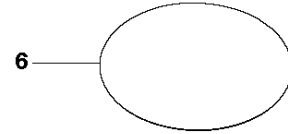
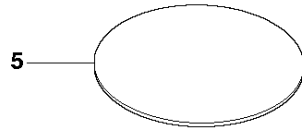
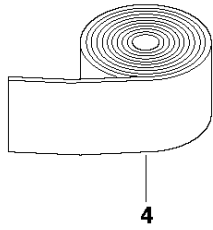
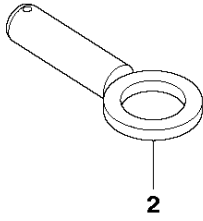
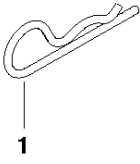
Ref	Part No	Description	Remark	QTY	KIT
1	735 31 33-00	CIRCLIP		6	65
2	502 53 91-01	BALL BEARING		6	65
3	502 53 68-01	PULLEY		3	65
4	502 53 67-01	SHAFT		2	65
5	735 31 37-00	CIRCLIP		9	64
6	502 53 93-01	BALL BEARING		3	64
7	502 54 98-01	PULLEY		3	64
8	725 24 51-76	SCREW EHHM		19	64
9	502 53 77-01	PLATE		3	64
10	502 53 96-01	CIRCLIP		3	64
11	502 53 95-01	BALL BEARING		3	64
12	502 53 70-01	BEARING HOUSING		3	64
13	502 53 97-01	RADIAL SEAL		3	64
14	502 53 66-01	PULLEY		3	64
15	725 64 93-51	SCREW IHCSFM		2	
16	516 05 81-01	SHAFT		1	
17	502 53 82-01	FRAME		1	
18	725 25 15-71	SCREW EHHM		1	
19	731 23 20-01	HEXAGON NUT		1	
20	734 11 72-01	WASHER		2	
21	502 53 69-01	SHAFT		1	
22	502 53 65-01	PULLEY		1	
23	502 53 87-01	BALL BEARING		1	
24	502 53 88-01	CIRCLIP		1	
25	504 72 63-03	WASHER		1	
26	504 74 88-01	SCREW IHSCM		1	
27	502 55 10-01	BOTTOM PLATE		1	
28	734 11 78-01	WASHER		12	
29	725 25 32-71	SCREW EHHM		12	
30	543 04 66-47	WASHER		1	
31	502 54 80-01	SPRING		3	
32	516 05 84-01	SEAL		1	
33	504 72 78-01	COVER PLATE		1	
34	725 24 49-76	SCREW EHHM		20	
35	516 05 85-01	SEAL		1	
36	504 72 79-01	COVER PLATE		1	
37	725 23 66-71	SCREW EHHM		2	
38	502 53 73-01	BEARING HOUSING		1	
39	502 53 78-01	COVER PLATE		1	
40	725 24 60-81	SCREW EHHM		6	
41	504 72 95-01	WASHER		2	
42	504 72 80-01	COVER PLATE		3	
43	725 24 53-76	SCREW EHHM		18	
44	502 53 98-01	SEAL		3	
45	502 53 40-06	HUB		3	31
46	502 53 40-04	SPACER PLATE		3	31
47	502 53 40-05	RUBBER RING		3	31
48	725 24 93-76	SCREW EHHM		18	31
49	734 11 72-01	WASHER		18	31
50	502 54 82-01	SPRING		3	31
51	734 11 63-01	WASHER		18	31
52	502 53 40-14	SPACER		18	31
53	502 53 43-01	RING		3	31
54	725 53 70-51	SCREW IHSCM		9	31
55	522 44 80-01	PLATE		3	31
56	502 53 44-01	LOCK		9	31
57	504 74 84-01	SCREW IHSCM		9	31
58	504 74 96-03	LOCKWASHER		3	
59	504 74 89-01	SCREW EHHM		3	
60	502 55 35-01	DRIVE CABLE		1	
61	725 25 34-71	SCREW EHHM		2	
62	502 54 58-01	HOLDER		3	
63	732 25 20-01	HEXAGON LOCKING NUT		1	
64	576 95 09-01	PULLEY		3	
65	575 58 48-01	PULLEY		2	



Ref	Part No	Description	Remark	QTY	KIT
1	502 53 57-01	ELECTRIC BOX		1	
2	502 53 52-01	ELECTRIC BOX		1	
3	516 06 12-01	GROMMET	US	1	4
4	504 74 03-02	POWER CABLE	US	1	
5	516 06 13-01	HOOD	US	1	4
6	516 06 14-01	CONNECTOR	US	1	4
7	516 06 15-01	CONNECTOR	US	1	9
8	516 06 16-01	HOOD	US	1	9
9	516 06 17-02	CABLE	US	1	
10	516 06 18-01	GROMMET	US	1	9
11	516 06 19-01	TERMINAL BLOCK		1	
12	723 13 27-01	SCREW SLCHM		9	
13	516 06 20-01	TERMINAL BLOCK		1	
14	724 13 68-51	SCREW CRPANM		9	
15	501 88 25-01	CABLE ASSY	CE	1	
16	501 88 26-01	CABLE ASSY	CE	1	

**Q** PG680 RC

20



## ON SITE PARTS

PG 680RC, 2016-04

Ref	Part No	Description	Remark	QTY	KIT
1	721 68 02-51	SPRING COTTER		2	20
2	504 72 97-01	PEN		2	20
4	590 49 92-02	RUBBER SKIRT		1	20
5	502 54 55-01	HOLDER		1	20
6	587 15 94-01	DISC		1	20
7	502 53 40-05	RUBBER RING		3	20
8	734 11 72-01	WASHER		18	20
9	502 54 82-01	SPRING		3	20
10	734 11 63-01	WASHER		18	20
11	725 24 49-76	SCREW EHHM		20	20
12	502 53 40-14	SPACER		18	20
13	725 53 70-51	SCREW IHSCM		9	20
14	502 53 44-01	LOCK		9	20
15	504 74 84-01	SCREW IHSCM		9	20
16	522 65 98-03	PEN		6	20
17	502 53 39-01	WASHER		6	20
18	734 11 63-01	WASHER		6	20
19	725 24 49-76	SCREW EHHM		6	20
20	501 44 14-01	KIT	On site parts kit	1	