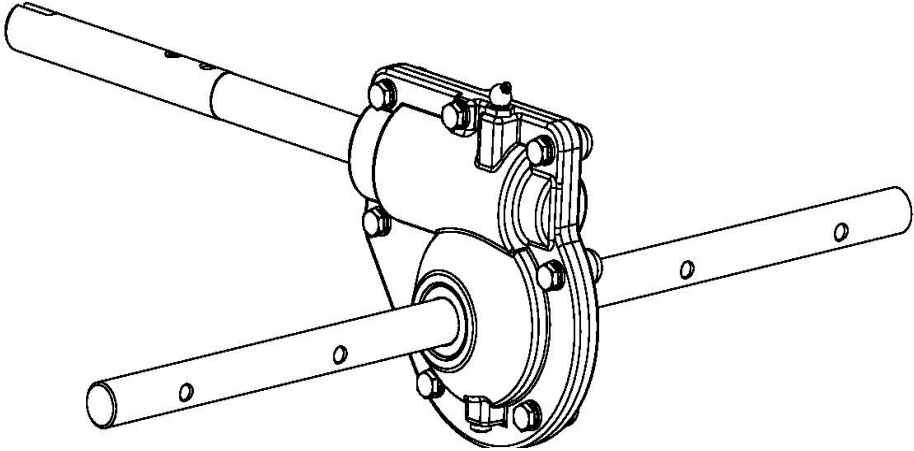
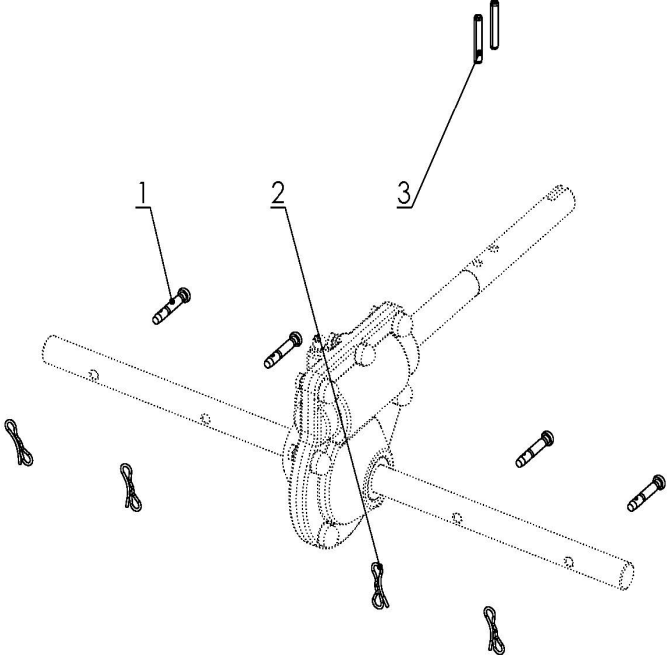
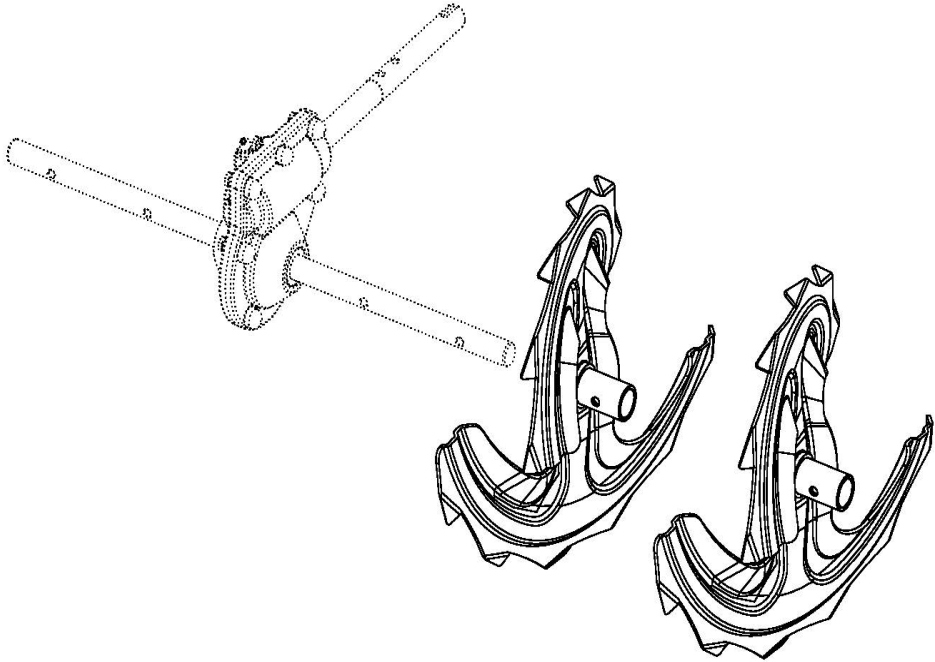
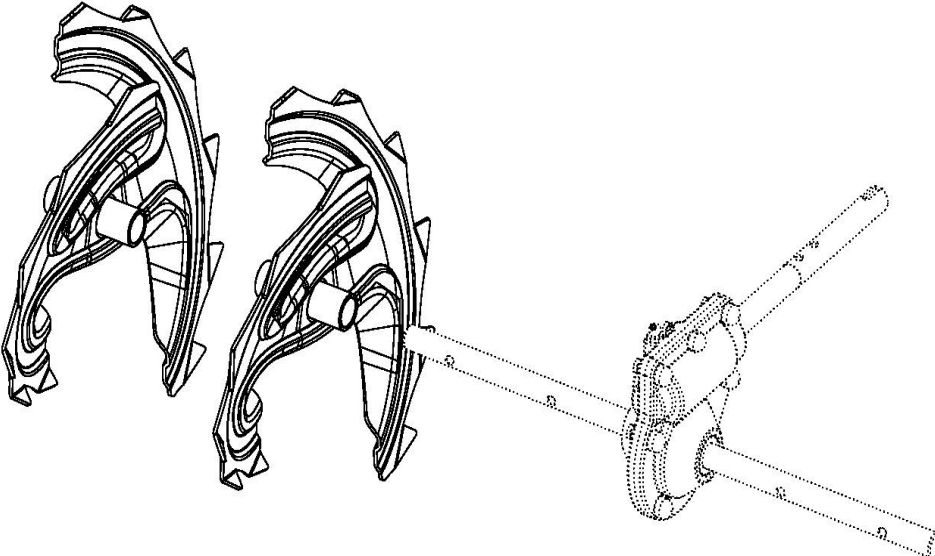


SNOW THROWER

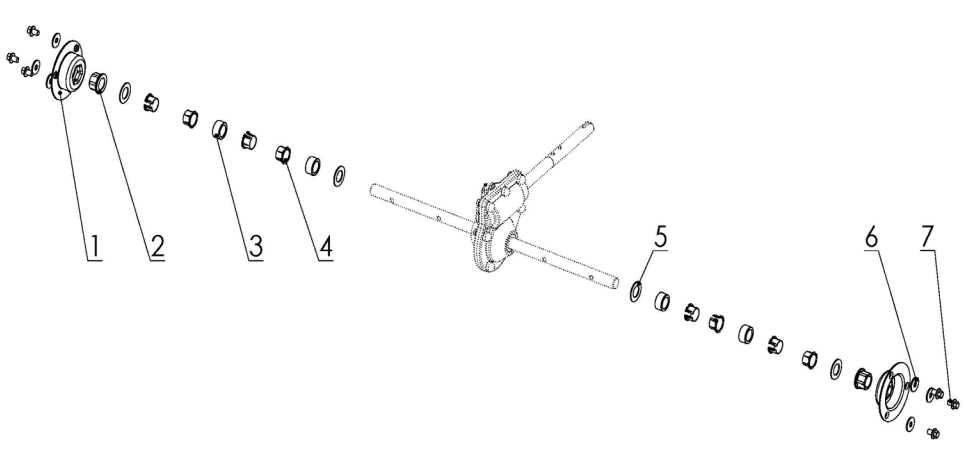
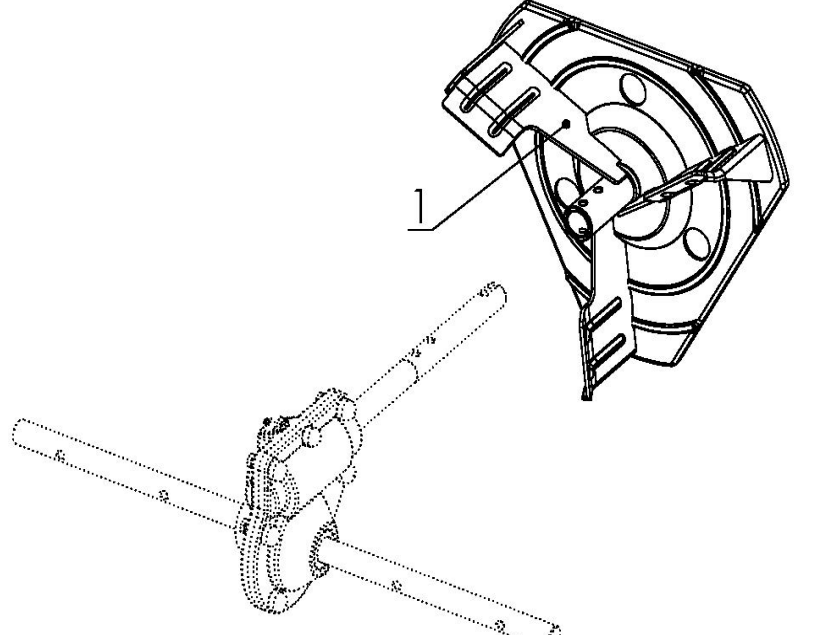
| KIT PART NUMBER | KIT DESCRIPTION | CONTENTS DESCRIPTION | QTY |
|-----------------|-----------------------------|---|-----|
| 596139901 | GEARBOX ASSY, 24 IN HOUSING |  <p>BOLT M6×20 6</p> <p>BOLT M6×25 1</p> <p>SPRING WASHER 6 7</p> <p>WASHER 6 7</p> <p>ANGLE HYDRAULIC GREASE NIPPLES M10×1 1</p> <p>BALL BEARING 61904-2Z 1</p> <p>WASHER 20×27×1 1</p> <p>BEARING 51104 1</p> <p>OIL SEAL 20×32×5 1</p> <p>WORM 1</p> <p>DEEP GROOVE BALL BEARING 16001-2Z 1</p> <p>WORM GEAR 1</p> <p>OIL SEAL 19×30×7 2</p> <p>LEFT WORM GEAR CASE 1</p> <p>WOODRUFF KEY 5×7.5×19 1</p> <p>AUGER SHAFT 1</p> <p>RIGHT WORM GEAR CASE 1</p> <p>BOLT M5×8 1</p> <p>WASHER 10×15×0.3 1</p> <p>GREASE 35G-55G</p> | |
| 595920901 | SERVICE KIT SHEAR PIN |  <p>PIN 6.1×38 4</p> <p>CIRCLIP 1.8 4</p> <p>PIN 6×35 2</p> | |



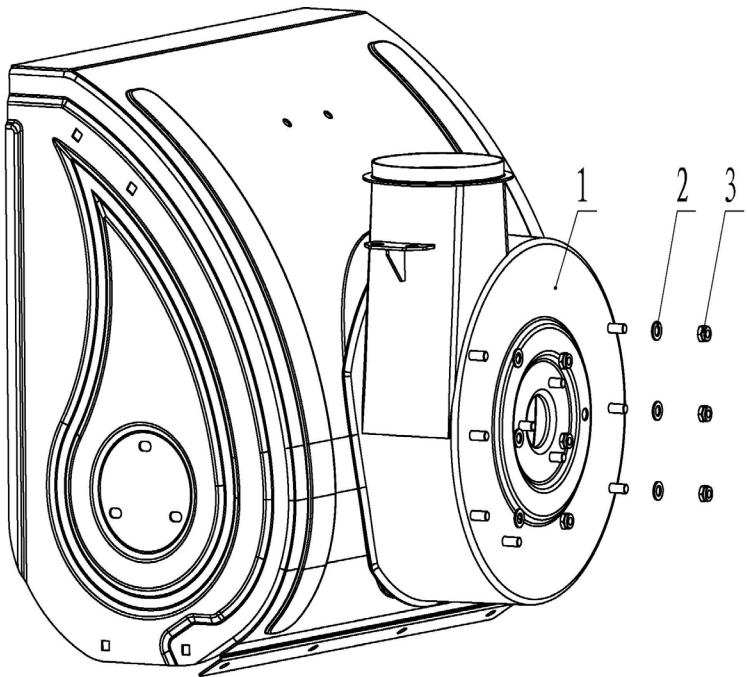
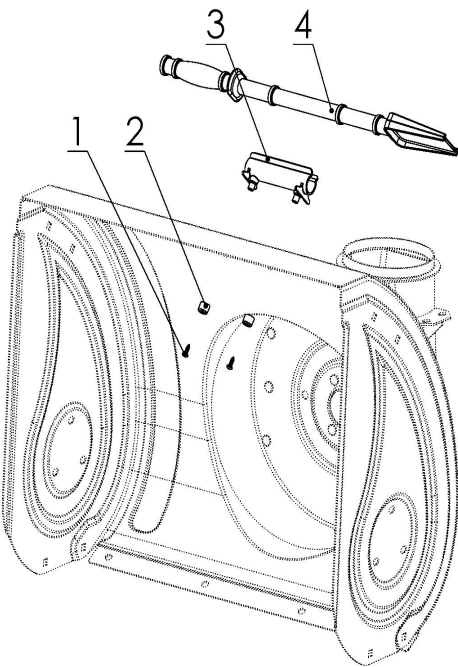
SNOW THROWER

| KIT PART NUMBER | KIT DESCRIPTION | CONTENTS DESCRIPTION | QTY |
|---|------------------------------|----------------------|-----|
| 595921503 | SERVICE KIT RH AUGER RIBBONS | RIGHT AUGER | 2 |
|  | | | |
| | | | |
| | | | |
| | | | |
| | | | |
| | | | |
| | | | |
| | | | |
| | | | |
| | | | |
| 595921504 | SERVICE KIT LH AUGER RIBBONS | LEFT AUGER | 2 |
|  | | | |
| | | | |
| | | | |
| | | | |
| | | | |
| | | | |
| | | | |
| | | | |
| | | | |
| | | | |

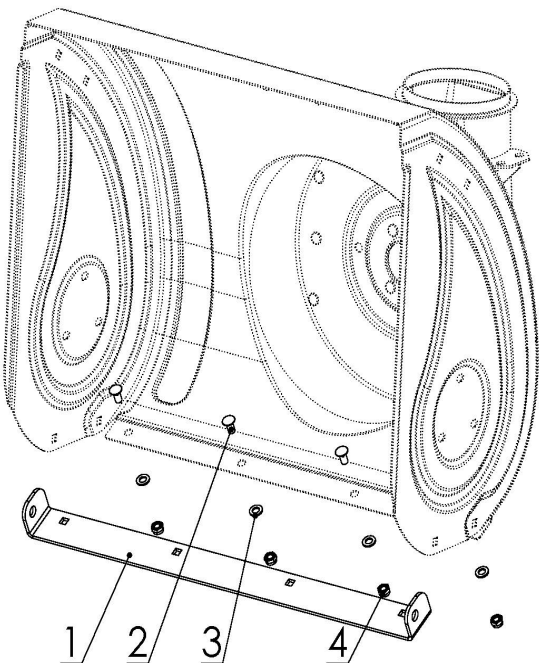
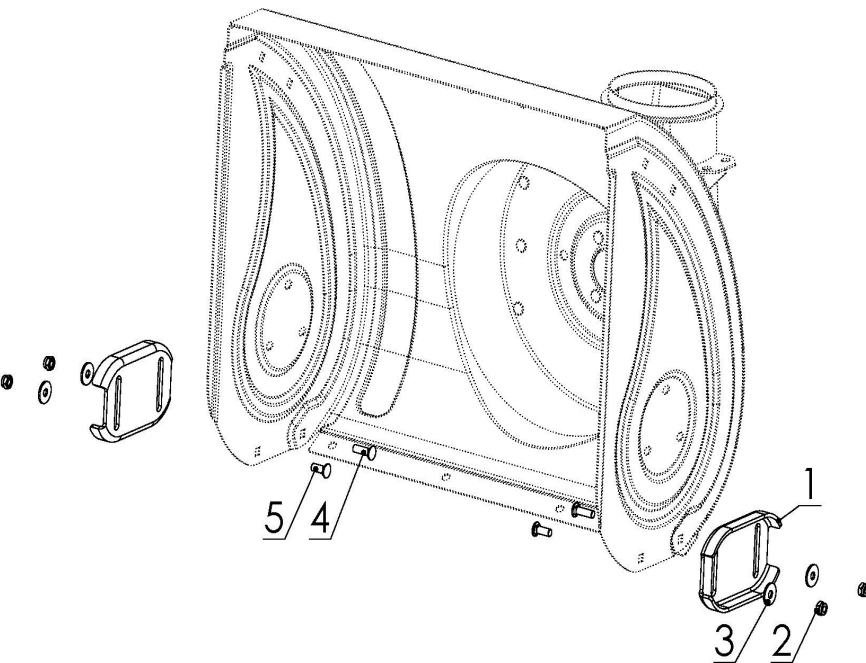
SNOW THROWER

| KIT PART NUMBER | KIT DESCRIPTION | CONTENTS DESCRIPTION | QTY |
|---|----------------------------------|----------------------|-----|
| 595921002 | SERVICE KIT AUGER HARDWARE 24 IN | COVER,SHAFT | 2 |
|  | | SHAFT BUSH | 2 |
| | | FIXED BUSH | 4 |
| | | ADJUSTING BUSH | 8 |
| | | WASHER 19.5×34×1.5 | 4 |
| | | BIG WASHER 8 | 6 |
| | | BOLT M8×12 | 6 |
| | | | |
| 595921201 | IMPELLER ASSY WELDMENT | IMPELLER WELDMENT | 1 |
|  | | | |
| | | | |
| | | | |
| | | | |
| | | | |
| | | | |
| | | | |
| | | | |
| | | | |
| | | | |

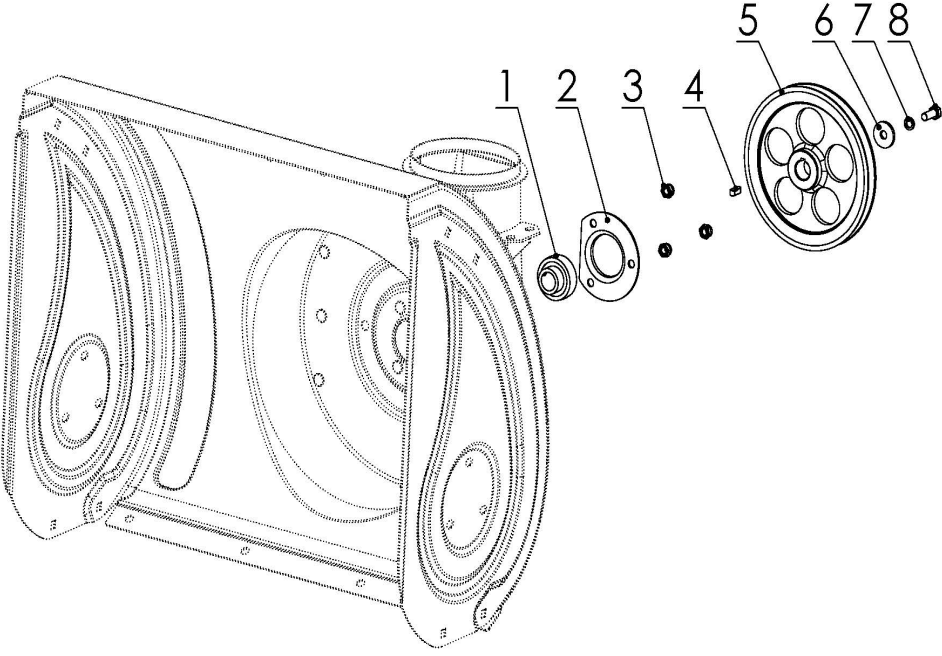
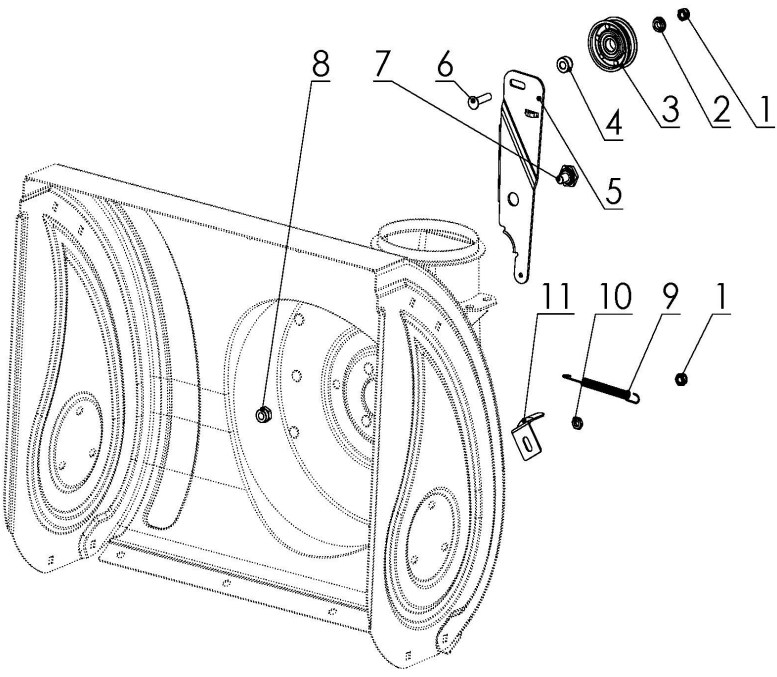
SNOW THROWER

| KIT PART NUMBER | KIT DESCRIPTION | CONTENTS DESCRIPTION | QTY |
|-----------------|--|--|-----|
| 595924304 | 24 IN HOUSING WELDMENT KIT WITH DECALS |  <p data-bbox="1055 262 1442 289">24 IN AUGER HOUSING 1</p> <p data-bbox="1055 296 1442 323">FLAT WASHER 8 6</p> <p data-bbox="1055 329 1442 357">BOLT M8 6</p> <p data-bbox="1055 363 1442 390">DECAL (PR230) 1</p> <p data-bbox="1055 396 1442 424">WARNING LABEL(108×78) 1</p> | |
| 595924401 | CLEANOUT TOOL AND HARDWARE |  <p data-bbox="1055 1031 1442 1058">SCREW ST4.2×12 2</p> <p data-bbox="1055 1064 1442 1092">PRESS CAP 2</p> <p data-bbox="1055 1098 1442 1125">BRACKET, SHOVEL 1</p> <p data-bbox="1055 1131 1442 1159">SHOVEL 1</p> | |

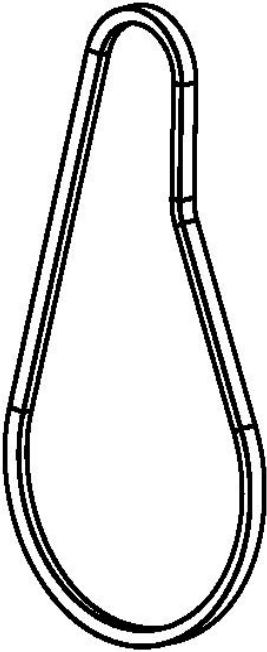
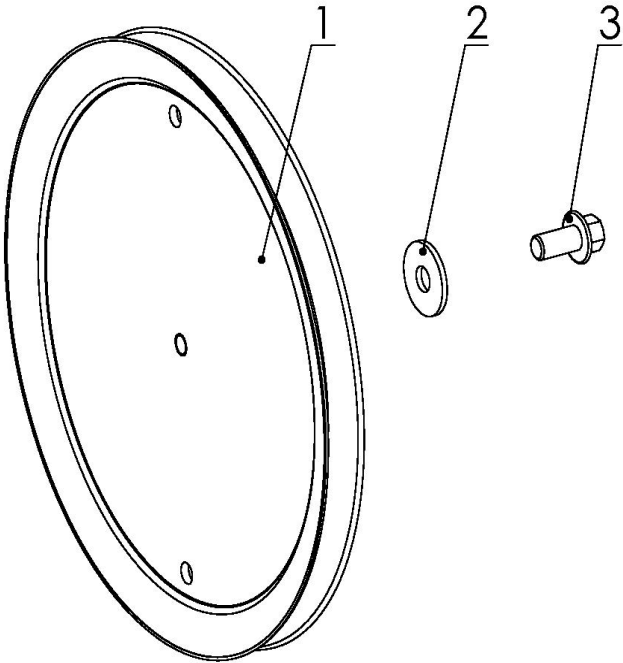
SNOW THROWER

| KIT PART NUMBER | KIT DESCRIPTION | CONTENTS DESCRIPTION | QTY |
|---|--------------------------------|----------------------|-----|
| 595924201 | 24 IN SCRAPER BAR AND HARDWARE | SCRAPER | 1 |
|  | | FLAT WASHER 8 | 4 |
| | | BOLT M8×16 | 4 |
| | | NUT M8 | 4 |
| | | | |
| | | | |
| 595924101 | SKID SHOES AND HARDWARE | SKID | 2 |
|  | | NUT M8 | 4 |
| | | BIG WASHER 8 | 4 |
| | | BOLT M8×25 | 2 |
| | | BOLT M8×20 | 2 |
| | | | |
| | | | |
| | | | |
| | | | |
| | | | |
| | | | |
| | | | |
| | | | |
| | | | |
| | | | |
| | | | |
| | | | |
| | | | |
| | | | |
| | | | |
| | | | |
| | | | |
| | | | |
| | | | |

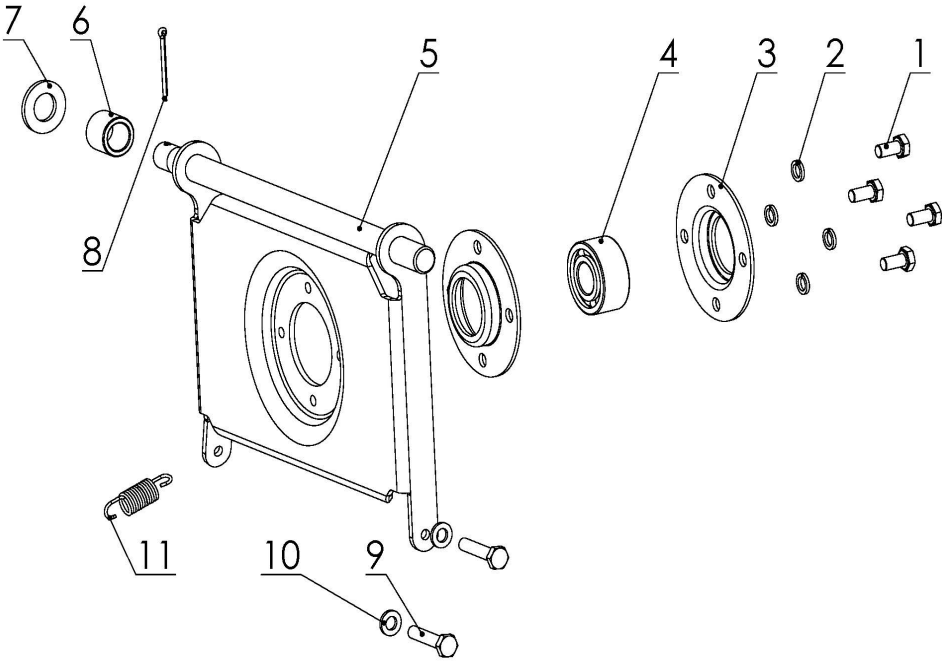
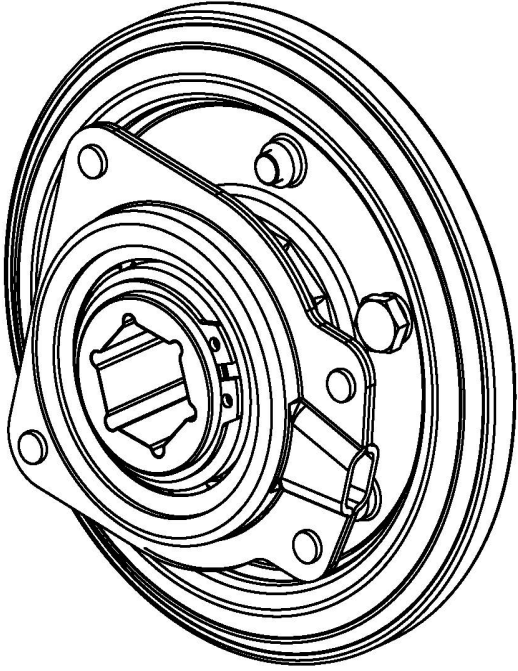
SNOW THROWER

| KIT PART NUMBER | KIT DESCRIPTION | CONTENTS DESCRIPTION | QTY |
|-----------------|--------------------------------|---|---|
| 595924501 | IMPELLER PULLEY AND COMPONENTS |  <p>INSERT BEARING UC204 BEARING SEAT, WORM NUT M8 KEY 6×18 DRIVEN PULLEY, AUGER BIG WASHER 8 SPRING WASHER 8 BOLT M8×20</p> | <p>1 1 3 1 1 1 1</p> |
| 595924601 | BELT TENSIONER AND COMPONENTS |  <p>NUT M8 SHORT BUSH, TENSION PULLEY TENSION PULLEY BELT LONG BUSH, TENSION PULLEY BRACKET, BELT TENSIONER BOLT M8×35 BOLT M10×14 NUT M10 SPRING TENSION PULLEY NUT M8 BELT TENSION BOARD</p> | <p>1 1 1 1 1 1 1 1 1 1</p> |

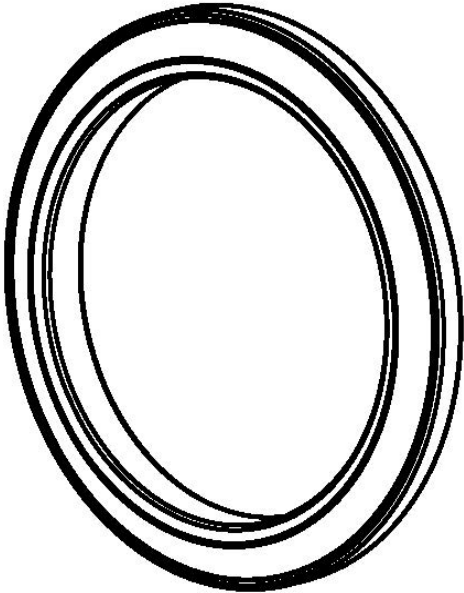
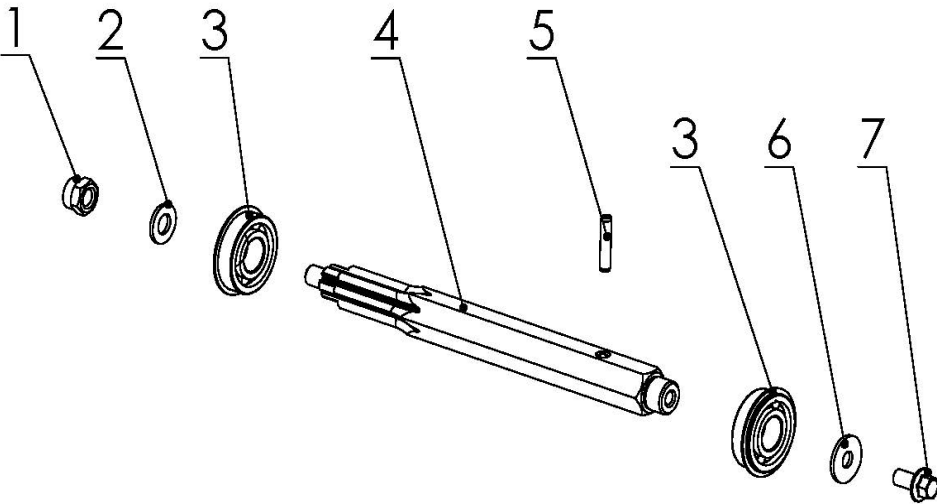
SNOW THROWER

| KIT PART NUMBER | KIT DESCRIPTION | CONTENTS DESCRIPTION | QTY |
|---|---------------------------|----------------------|-----|
| 595924701 | BELT IMPELLER | BELT AUGER 4XLA822E | 1 |
|  | | | |
| | | | |
| | | | |
| | | | |
| | | | |
| | | | |
| | | | |
| | | | |
| | | | |
| | | | |
| 595924901 | DRIVE PULLEY AND HARDWARE | | |
|  | | DRIVEN PULLEY | 1 |
| | | BIG WASHER 8 | 1 |
| | | BOLT M8×12 | 1 |
| | | | |
| | | | |
| | | | |
| | | | |
| | | | |
| | | | |
| | | | |

SNOW THROWER

| KIT PART NUMBER | KIT DESCRIPTION | CONTENTS DESCRIPTION | QTY |
|-----------------|-------------------------------|---|---|
| 595925001 | TIP PLATE AND COMPONENTS |  <p>BOLT M6×12</p> <p>SPRING WASHER 6</p> <p>BEARING SEAT, DRIVEN PULLEY</p> <p>BEARING 3202-2RS</p> <p>BRACKET, DRIVEN PULLEY</p> <p>WASHER 13.5×25×2.5</p> <p>BUSH 13.2×19×16.5</p> <p>PIN 2.5×30</p> <p>BOLT M6×30</p> <p>WASHER 6</p> <p>SPRING, DRIVEN PULLEY</p> | <p>4</p> <p>4</p> <p>2</p> <p>1</p> <p>1</p> <p>1</p> <p>1</p> <p>1</p> <p>1</p> <p>2</p> <p>2</p> <p>1</p> <p></p> <p></p> <p></p> <p></p> <p></p> <p></p> <p></p> <p></p> <p></p> <p></p> |
| 595926201 | WHEEL ASSY RUBBER DRIVE WHEEL |  <p>CIRCLIP 35</p> <p>SHIFTING FORK COVER</p> <p>BOLT M6×12</p> <p>SPRING WASHER 6</p> <p>COVER, FRICTION DISK</p> <p>SHAFT SLEEVE, FRICTION DISK</p> <p>RUBBER RING, FRICTION DISK</p> | <p>1</p> <p>1</p> <p>6</p> <p>6</p> <p>2</p> <p>1</p> <p>1</p> <p></p> <p></p> <p></p> <p></p> <p></p> <p></p> <p></p> <p></p> <p></p> <p></p> <p></p> <p></p> <p></p> <p></p> <p></p> |

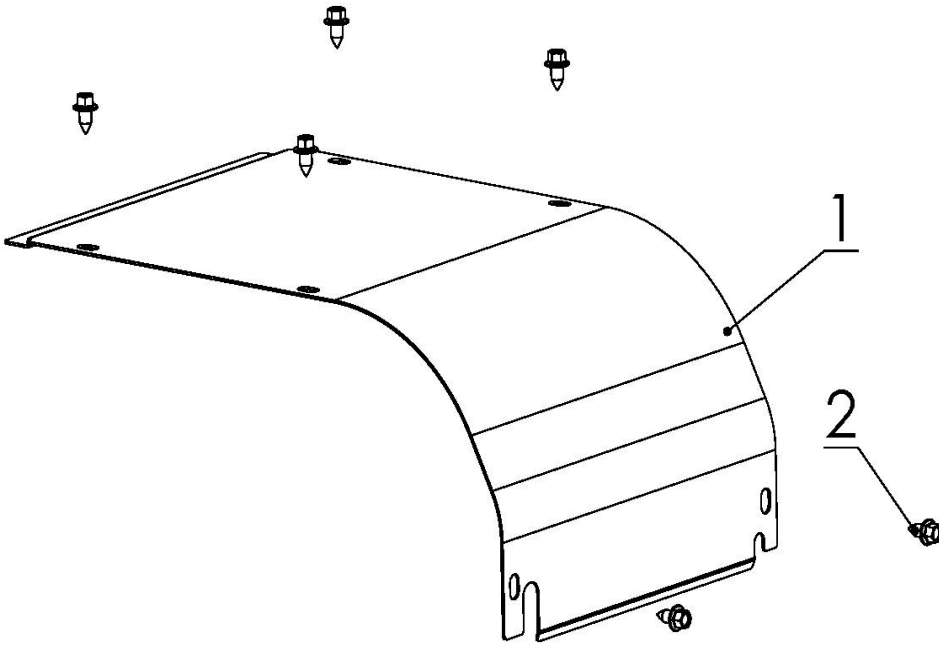
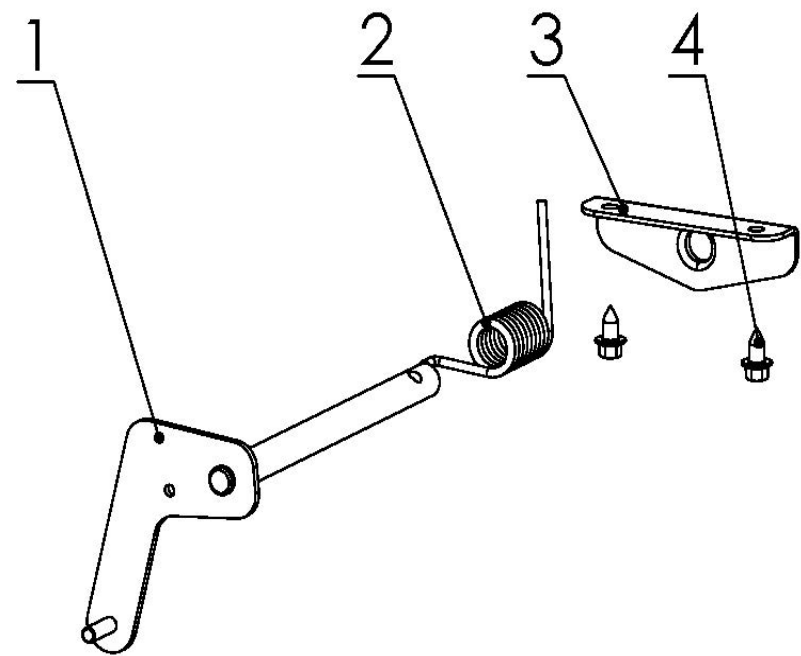
SNOW THROWER

| KIT PART NUMBER | KIT DESCRIPTION | CONTENTS DESCRIPTION | QTY |
|--|--------------------------|----------------------------|-----|
| 595926501 | RING RUBBER DRIVE WHEEL | RUBBER RING, FRICTION DISK | 1 |
|  | | | |
| | | | |
| | | | |
| | | | |
| | | | |
| | | | |
| | | | |
| | | | |
| | | | |
| | | | |
| 596012601 | HEX SHAFT AND COMPONENTS | | |
|  | | NUT M10 | 1 |
| | | WASHER 10 | 1 |
| | | BALL BEARING 6203-2RS | 2 |
| | | SHAFT,FRICTION WHEEL | 1 |
| | | PIN 6×28 | 1 |
| | | BIG WASHER 8 | 1 |
| | | BOLT M8×16 | 1 |
| | | | |
| | | | |
| | | | |

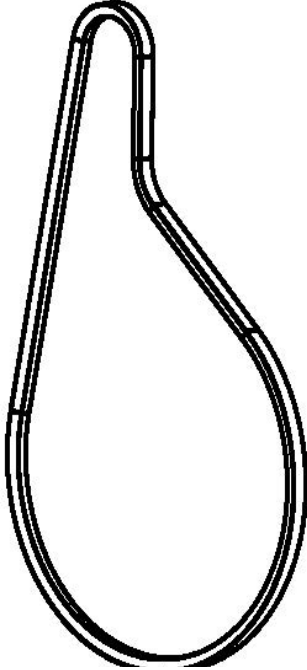
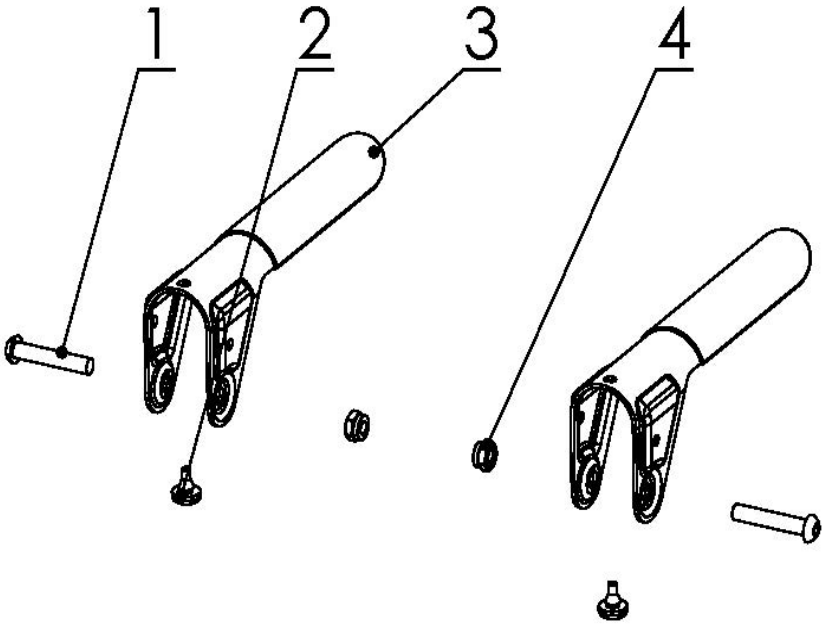
SNOW THROWER

| KIT PART NUMBER | KIT DESCRIPTION | CONTENTS DESCRIPTION | QTY |
|-----------------|---------------------------|------------------------|-----|
| 596012801 | AXLE SHAFT AND COMPONENTS | | |
| | | BUSH,SHAFT | 2 |
| | | WALKING SHAFT | 1 |
| | | WOODRUFF KEY 5×7.5×19 | 1 |
| | | PIN 6×28 | 1 |
| | | DRIVEN GEAR | 1 |
| | | RETAINER RING,SHAFT 19 | 1 |
| | | | |
| | | | |
| 596013102 | FRAME ASSEMBLY | | |
| | | FRAME ASSEMBLY | 1 |
| | | | |
| | | | |
| | | | |
| | | | |
| | | | |
| | | | |
| | | | |
| | | | |
| | | | |
| | | | |
| | | | |
| | | | |

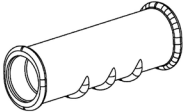
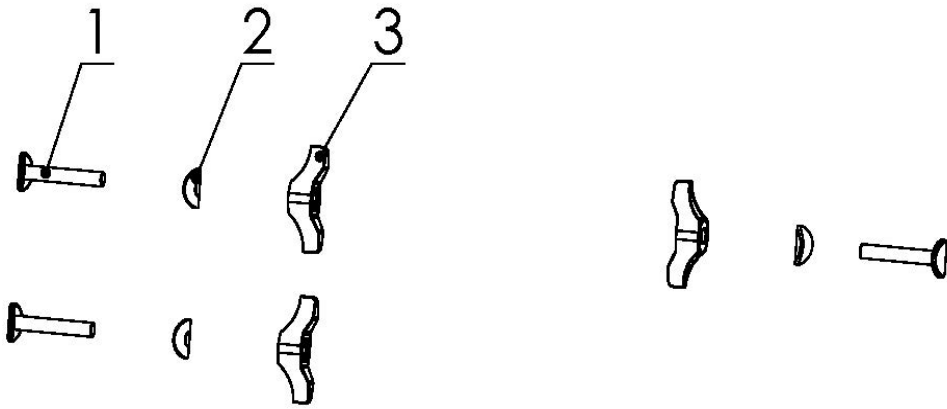
SNOW THROWER

| KIT PART NUMBER | KIT DESCRIPTION | CONTENTS DESCRIPTION | QTY | |
|---|------------------------------|-----------------------------|-----|--|
| 596013202 | FRAME COVER AND HARDWARE | | | |
|  | | FRAME COVER | 1 | |
| | | SELF-TAPPING SCREW ST6.3×13 | 6 | |
| | | | | |
| | | | | |
| | | | | |
| | | | | |
| | | | | |
| 596013301 | SHIFTING FORK AND COMPONENTS | | | |
|  | | SHIFTING FORK | 1 | |
| | | SPRING SHIFTING FORK | 1 | |
| | | FIXED BOARD , FORK | 1 | |
| | | SELF-TAPPING SCREW ST6.3×13 | 2 | |
| | | | | |
| | | | | |
| | | | | |
| | | | | |
| | | | | |
| | | | | |
| | | | | |
| | | | | |

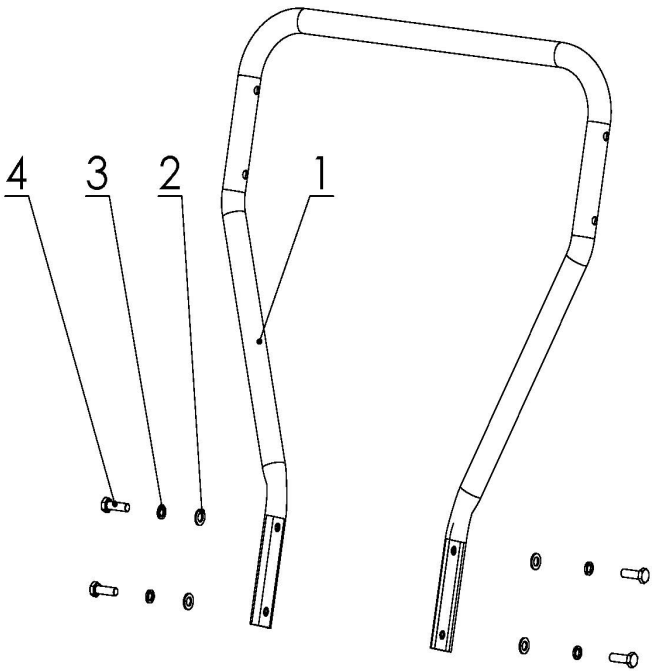
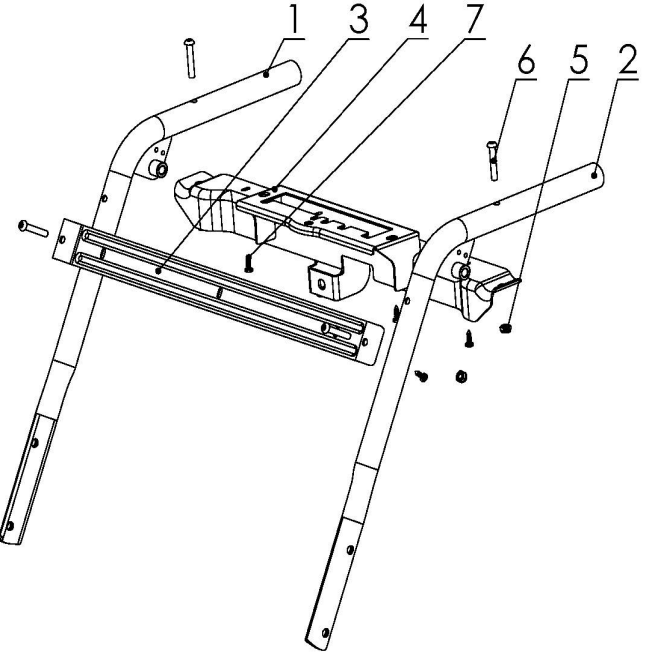
SNOW THROWER

| KIT PART NUMBER | KIT DESCRIPTION | CONTENTS DESCRIPTION | QTY |
|---|-----------------------------|----------------------|-----|
| 596013401 | BELT DRIVE | DRIVE BELT 3LXA809 | 1 |
|  | | | |
| | | | |
| | | | |
| | | | |
| | | | |
| | | | |
| | | | |
| | | | |
| | | | |
| | | | |
| 596013501 | CONTROL LEVERS AND HARDWARE | BOLT M8×45 | 2 |
|  | | GASKET CLUTCH LEVER | 2 |
| | | CLUTCH LEVER | 2 |
| | | NUT M8 | 2 |
| | | | |
| | | | |
| | | | |
| | | | |
| | | | |
| | | | |
| | | | |

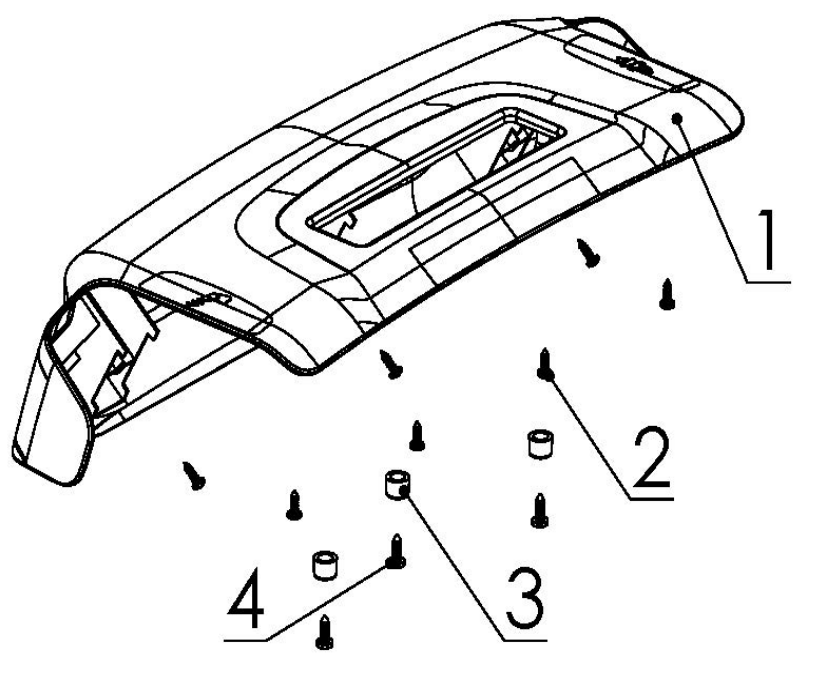
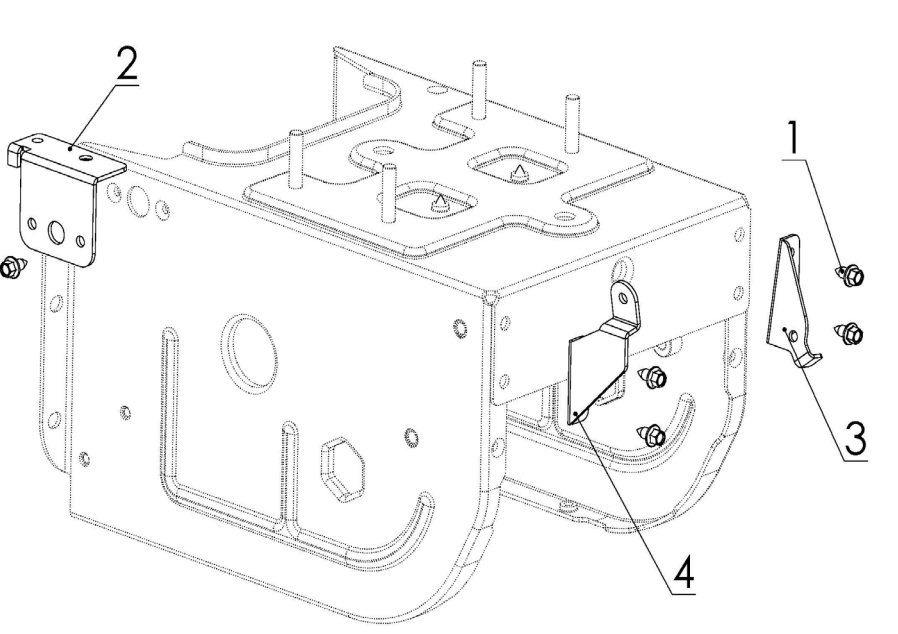
SNOW THROWER

| KIT PART NUMBER | KIT DESCRIPTION | CONTENTS DESCRIPTION | QTY |
|---|------------------|----------------------|-----|
| 596013601 | HANDLE GRIPS | GRIPS | 2 |
|  | | | |
| | | | |
| | | | |
| | | | |
| | | | |
| | | | |
| | | | |
| | | | |
| | | | |
| | | | |
| | | | |
| | | | |
| | | | |
| | | | |
| 596013701 | HANDLE WING NUTS | LOCK BOLT M8×50 | 3 |
|  | | WASHER 8 | 3 |
| | | LOCK SCREW | 3 |
| | | | |
| | | | |
| | | | |
| | | | |
| | | | |
| | | | |
| | | | |
| | | | |
| | | | |
| | | | |
| | | | |
| | | | |

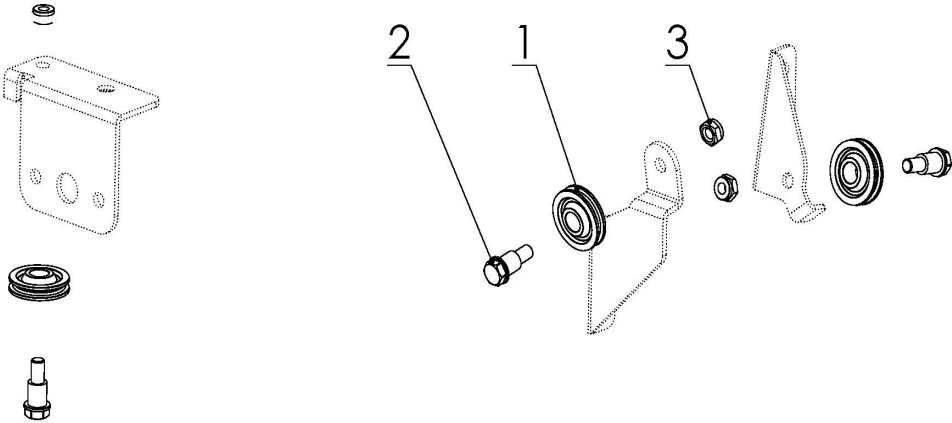
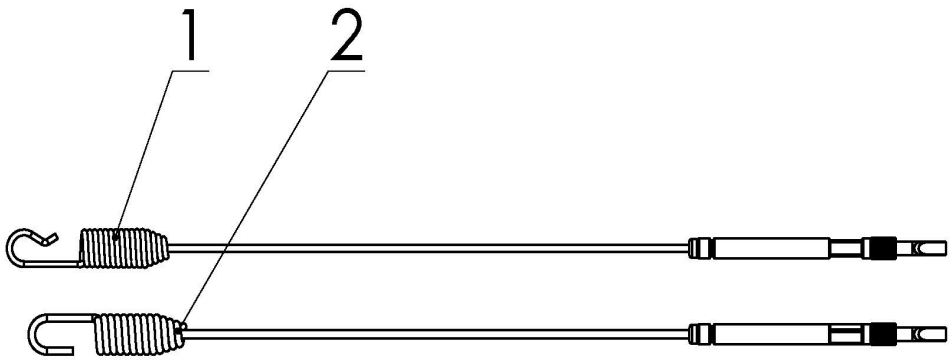
SNOW THROWER

| KIT PART NUMBER | KIT DESCRIPTION | CONTENTS DESCRIPTION | QTY |
|---|---|----------------------|-----|
| 596013802 | LOWER HANDLE AND HARDWARE | LOWER HANDLE | 1 |
|  | | WASHER 8 | 4 |
| | | SPRING WASHER 8 | 4 |
| | | BOLT M8×25 | 4 |
| | | | |
| 596014002 | UPPER HANDLE MULTI SPEED AND COMPONENTS | RIGHT HANDLE | 1 |
|  | | LEFT HANDLE | 1 |
| | | LOWER SUPPORT | 1 |
| | | SUPPORT PANEL A | 1 |
| | | NUT M6 | 4 |
| | | BOLT M6×35 | 4 |
| | | BOLT ST4.2×12 | 7 |
| | | | |
| | | | |
| | | | |
| | | | |
| | | | |
| | | | |
| | | | |
| | | | |
| | | | |
| | | | |
| | | | |
| | | | |
| | | | |

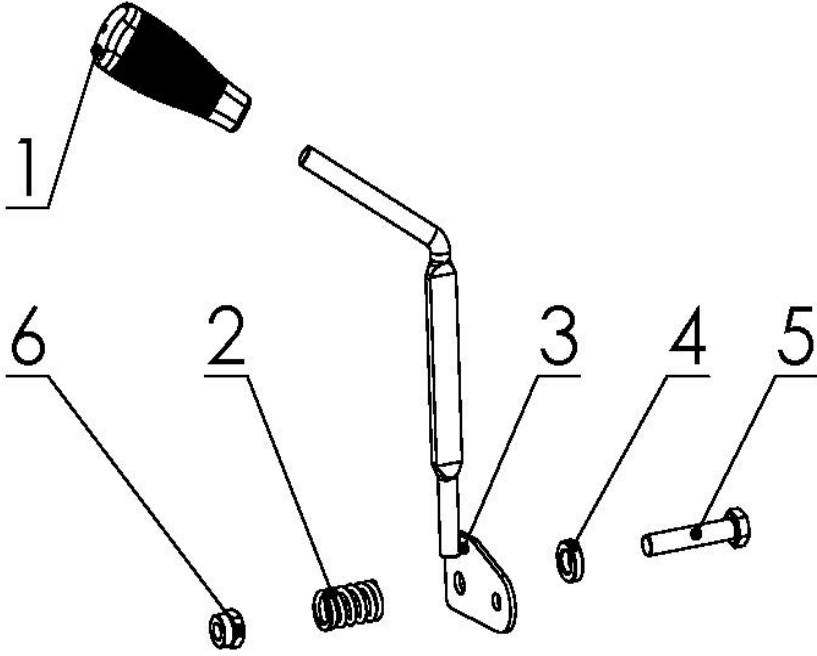
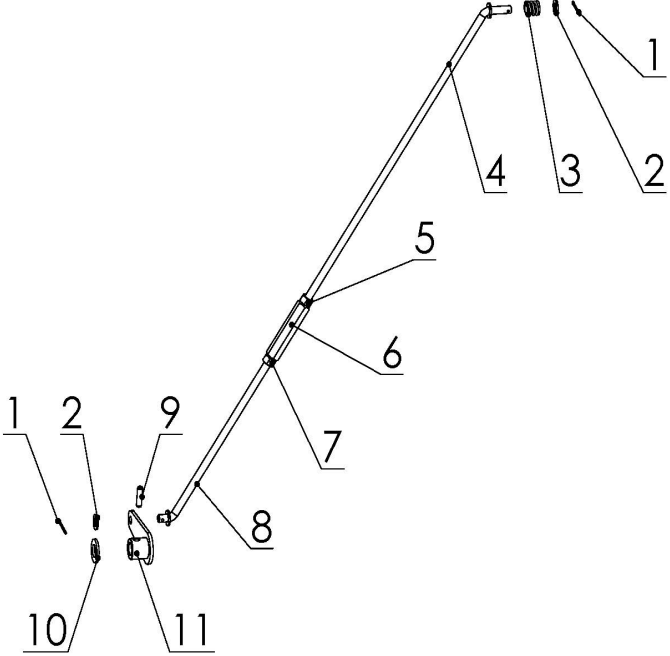
SNOW THROWER

| KIT PART NUMBER | KIT DESCRIPTION | CONTENTS DESCRIPTION | QTY |
|--|----------------------------------|-----------------------------|-----|
| 596014202 | CONSOLE MULTI SPEED AND HARDWARE | | |
|  | | CONSOLE PANEL 4FWD/1REV | 1 |
| | | BOLT ST4.2×12 | 7 |
| | | PRESS CAP | 3 |
| | | BOLT ST4.8×16 | 3 |
| | | WARNING LABEL (153×27) | 1 |
| | | | |
| 596014301 | CABLE BRACKETS AND HARDWARE | | |
|  | | BOLT ST6.3×13 | 6 |
| | | REAR BRACKET, AUGER CABLE | 1 |
| | | BRACKET, WALKING CABLE | 1 |
| | | FRONT BRACKET, CLUTCH CABLE | 1 |
| | | | |

SNOW THROWER

| KIT PART NUMBER | KIT DESCRIPTION | CONTENTS DESCRIPTION | QTY |
|---|----------------------------|---------------------------|-----|
| 596014601 | CABLE PULLEYS AND HARDWARE | | |
|  | | CABLE PULLEY | 3 |
| | | SHAFT M6×10 ,CABLE PULLEY | 3 |
| | | NUT M6 | 3 |
| | | | |
| | | | |
| | | | |
| | | | |
| | | | |
| | | | |
| | | | |
| 596014901 | CONTROL CABLES | | |
|  | | CLUTCH CABLE,WALKING | 1 |
| | | CLUTCH CABLE,AUGER | 1 |
| | | | |
| | | | |
| | | | |
| | | | |
| | | | |
| | | | |
| | | | |
| | | | |

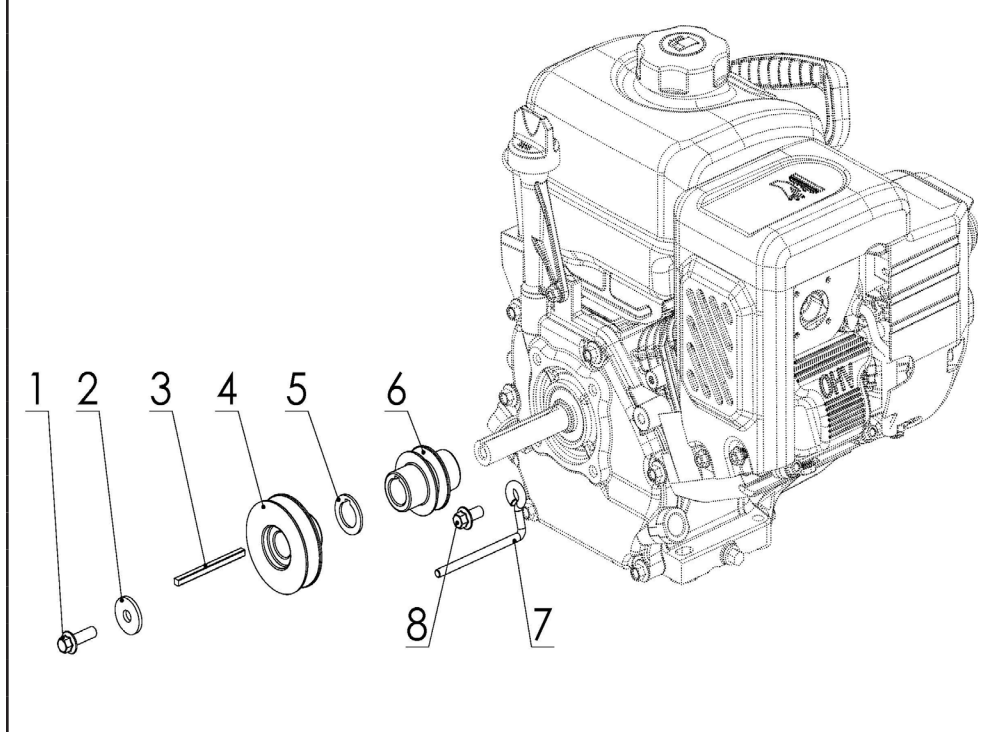
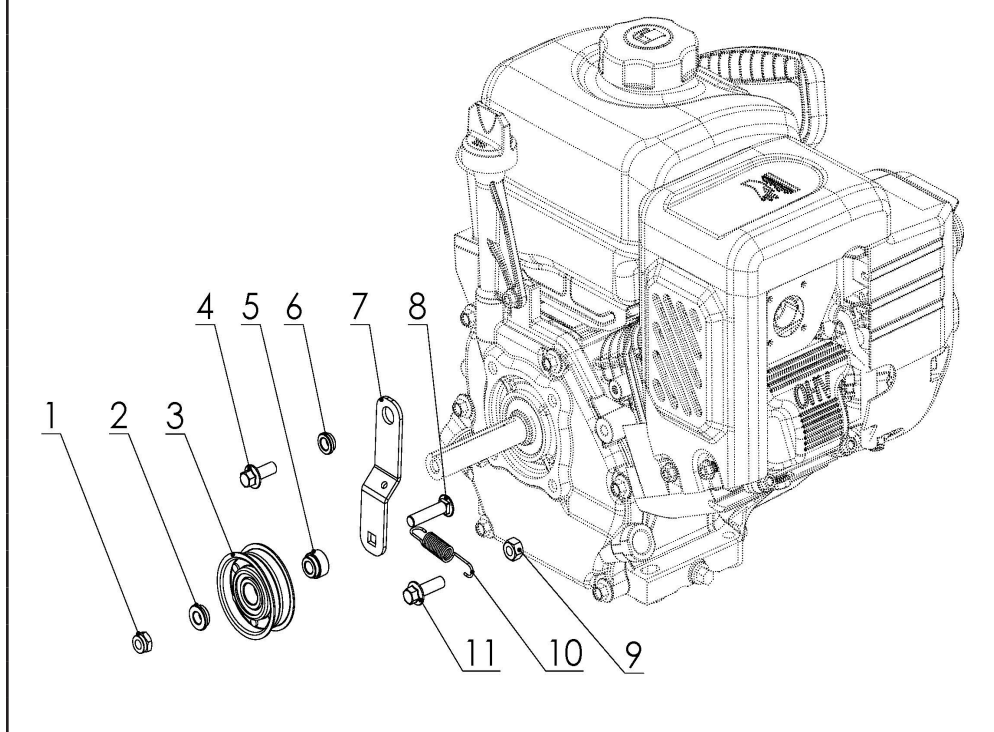
SNOW THROWER

| KIT PART NUMBER | KIT DESCRIPTION | CONTENTS DESCRIPTION | QTY |
|---|--------------------------------------|---|---|
| 596015001 | UPPER SPEED CONTROL AND HARDWARE | SHIFTING LEVER SHIFTING SPRING SHIFTING ROD BUSH 11×20×5 BOLT M10×50 NUT M10 | 1 1 1 1 1 1 |
|  | | | |
| 596015101 | LOWER SPEED CONTROL ROD AND HARDWARE | PIN 2×25 WASHER 8 SPRING, SHIFTING ROD UPPER SHIFTING ROD NUT M8 ADJUSTING LEVER, ROD BOLT M8 LOWER SHIFTING ROD PIN 6×22 WASHER 13.5×25×2.5 CONNECTING ARM | 2 2 1 1 1 1 1 1 1 1 1 |
|  | | | |

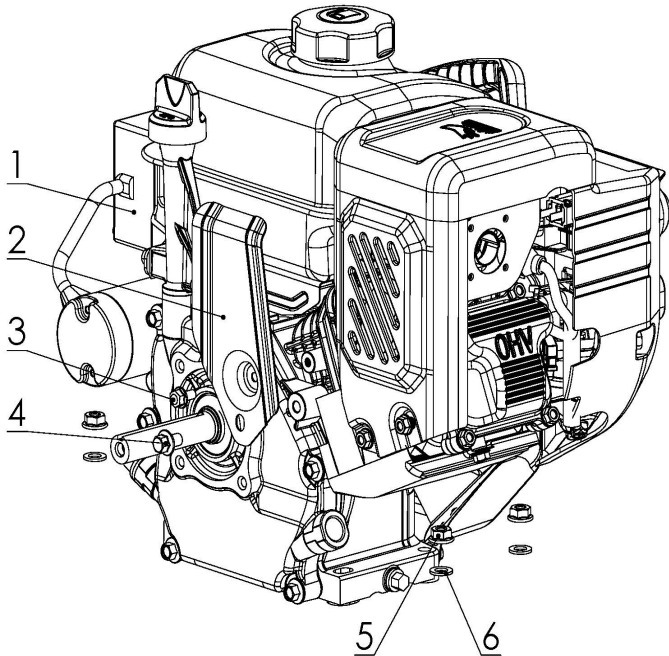
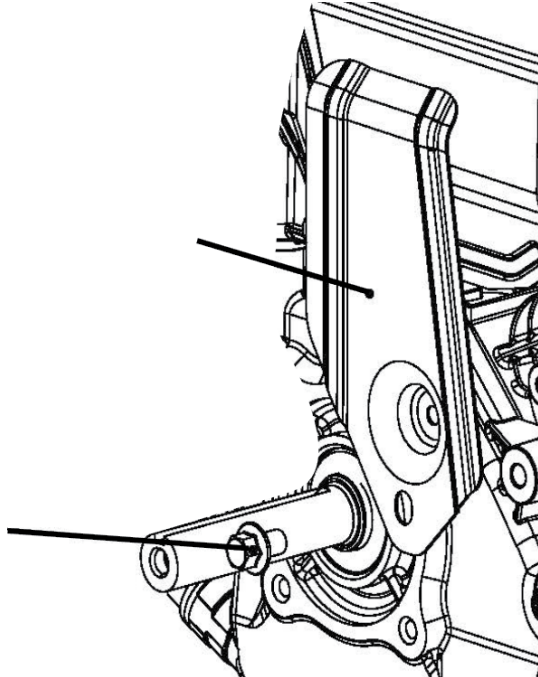
REPAIR PARTS

MODEL NO. **ST124** (97044930100), PRODUCT NO. 970 44 93 01

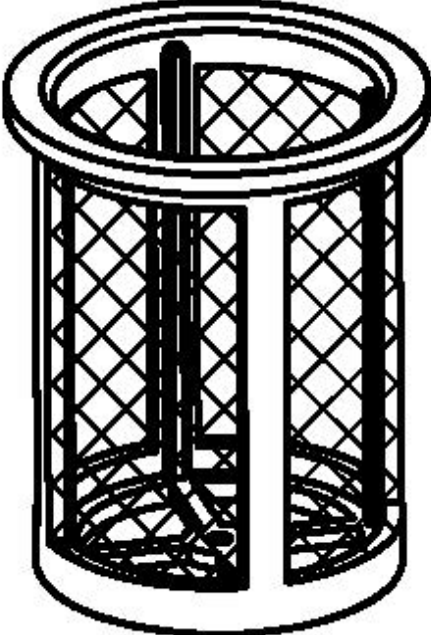
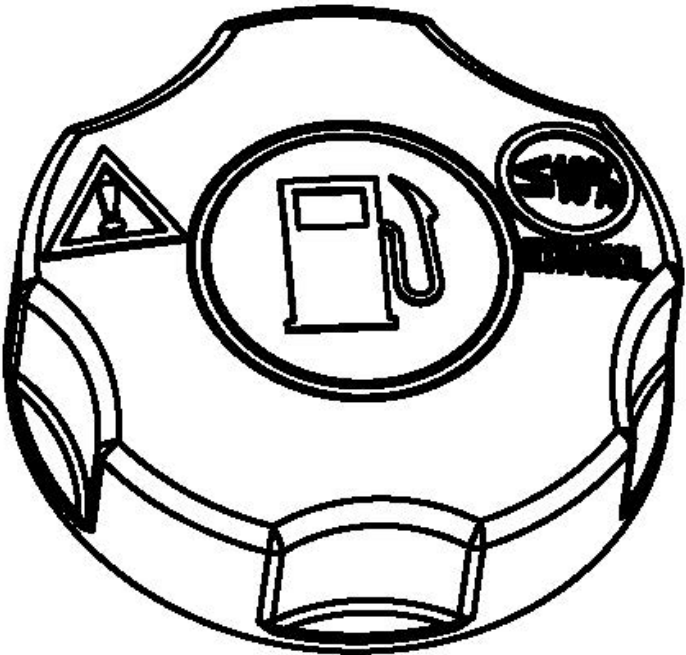
SNOW THROWER

| KIT PART NUMBER | KIT DESCRIPTION | CONTENTS DESCRIPTION | QTY |
|---|-------------------------------|---|---|
| 596015201 | ENGINE PULLEYS AND COMPONENTS | | |
|  | | BOLT M8×25 BIG WASHER 8 KEY 4.78×70 DRIVING PULLEY,AUGER WASHER DRIVING PULLEY DRIVING PULLEY,WALKING BELT GUIDE BOLT M8×16 | 1 1 1 1 1 1 1 |
| 596015301 | IDLER ARM AND COMPONENTS | | |
|  | | NUT M8 BUSH,TENSION PULLEY TENSION PULLEY BOLT M8×20 SLEEVE,TENSION PULLEY BUSH,TENSION PULLEY BRACKET BRACKET,TENSION PULLEY BOLT M8×35 NUT M8 SPING,TENSION PULLEY BOLT M8×25 | 1 1 1 1 1 1 1 1 1 1 1 |

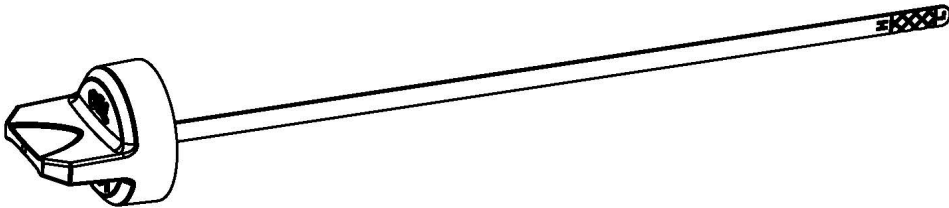
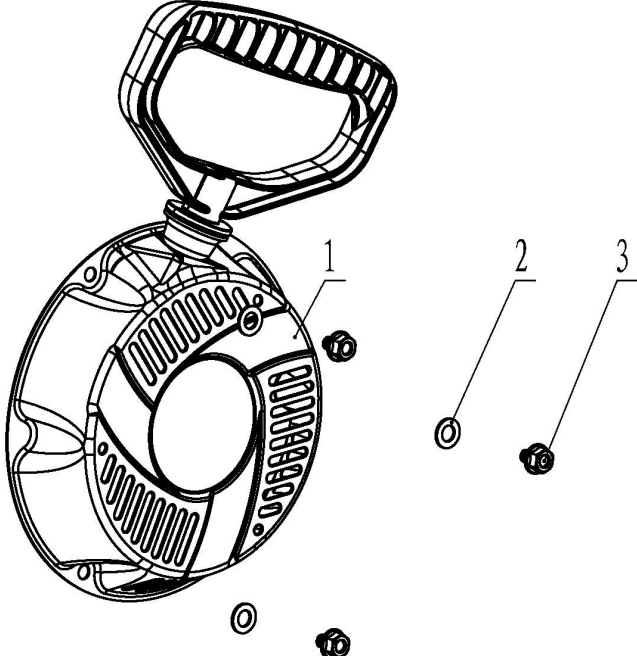
SNOW THROWER

| KIT PART NUMBER | KIT DESCRIPTION | CONTENTS DESCRIPTION | QTY |
|-----------------|--------------------------------|--|-----|
| 596210001 | ENGINE ASSEMBLY WITH SHIELD ES |  <ul style="list-style-type: none"> <li data-bbox="1057 260 1437 291">W210FSE ENGINE 1 <li data-bbox="1057 296 1437 327">WIND SHIELD 1 <li data-bbox="1057 331 1437 363">BOLT M6×12 1 <li data-bbox="1057 367 1437 399">BOLT M8×12 1 <li data-bbox="1057 403 1437 434">NUT M8 4 <li data-bbox="1057 438 1437 470">FLAT WASHER 8 4 <li data-bbox="1057 474 1437 506">WARNING LABEL(100×20) 1 <li data-bbox="1057 510 1437 541">WARNING LABEL(100×20) 1 <li data-bbox="1057 546 1437 577">SPEED CONTROL DECAL(97×27) 1 <li data-bbox="1057 581 1437 613">ADD OIL DECAL(30×15) 1 <li data-bbox="1057 617 1437 648">RECOIL COVER DECAL (60.5×60.5) 1 | |
| 596866501 | ENGINE WIND SHIELD |  <ul style="list-style-type: none"> <li data-bbox="1057 1033 1437 1064">WIND SHIELD 1 <li data-bbox="1057 1068 1437 1100">BOLT M8×12 1 | |

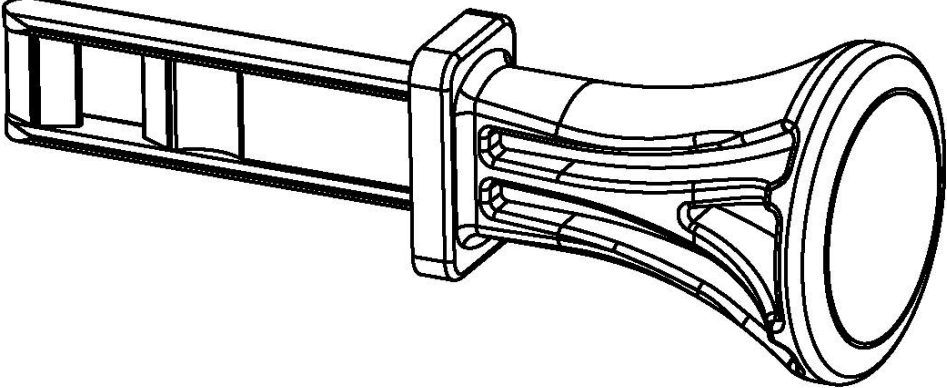

SNOW THROWER

| KIT PART NUMBER | KIT DESCRIPTION | CONTENTS DESCRIPTION | QTY |
|---|-----------------|----------------------|-----|
| 596015501 | FUEL FILTER | FUEL FILTER | 1 |
|  | | | |
| | | | |
| | | | |
| | | | |
| | | | |
| | | | |
| | | | |
| | | | |
| | | | |
| | | | |
| 596015601 | GAS CAP | GAS CAP | 1 |
|  | | | |
| | | | |
| | | | |
| | | | |
| | | | |
| | | | |
| | | | |
| | | | |
| | | | |
| | | | |


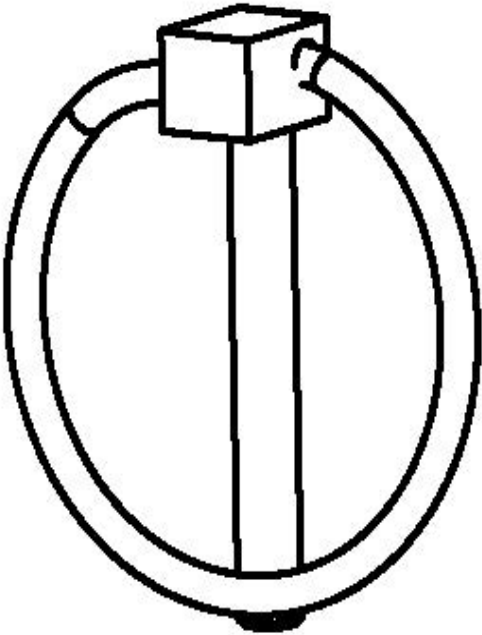
SNOW THROWER

| KIT PART NUMBER | KIT DESCRIPTION | CONTENTS DESCRIPTION | QTY |
|---|--------------------------------|--------------------------|-----|
| 596015701 | OIL CAP AND DIP STICK ASSEMBLY | OIL CAP AND DIPSTICK ASM | 1 |
|  | | | |
| | | | |
| | | | |
| | | | |
| | | | |
| | | | |
| | | | |
| | | | |
| | | | |
| | | | |
| 596015801 | PULL START ASSEMBLY | PULL START ASSEMBLY | 1 |
|  | | FLANGE BOLT M6×8 | 3 |
| | | WASHER 6 | 3 |
| | | | 1 |
| | | | |
| | | | |
| | | | |
| | | | |
| | | | |
| | | | |
| | | | |

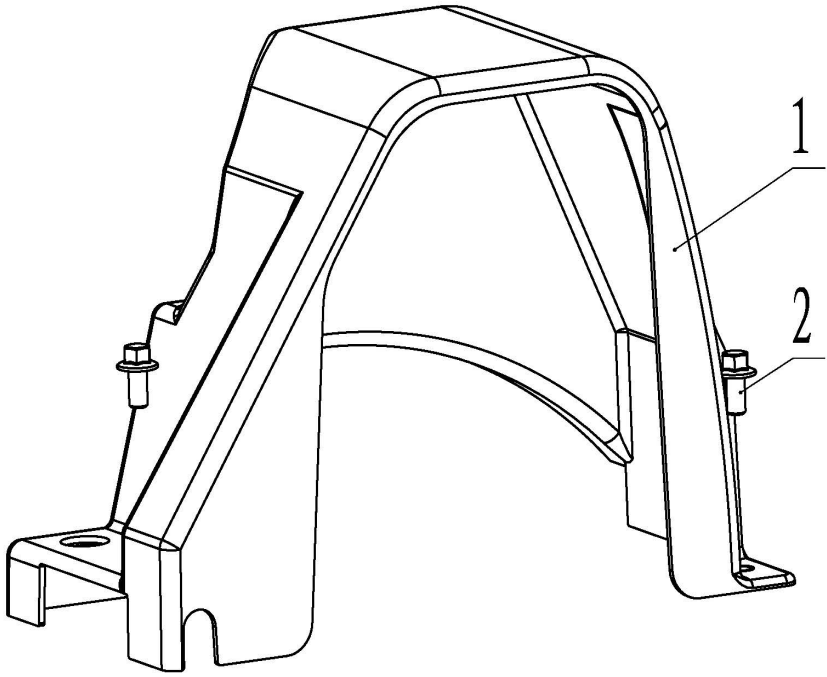
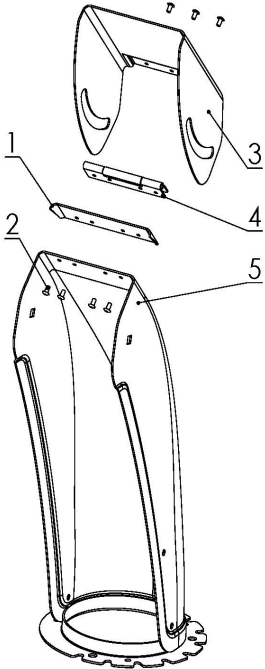
SNOW THROWER

| KIT PART NUMBER | KIT DESCRIPTION | CONTENTS DESCRIPTION | QTY |
|---|----------------------------------|--------------------------------|-----|
| 596018201 | ENGINE KEY | ENGINE KEY SET OF 2 | 1 |
|  | | | |
| | | | |
| | | | |
| | | | |
| | | | |
| | | | |
| | | | |
| | | | |
| | | | |
| | | | |
| 596015902 | RH WHEEL ASSEMBLY AND COMPONENTS | TIRE 13×4.1-6 | 1 |
|  | | HUB 13×4.1-6 | 1 |
| | | AIR VALVE | 1 |
| | | CAP AIR VALVE | 1 |
| | | SHAFT SLEEVE WITH HOLE, HUB | 1 |
| | | SHAFT SLEEVE WITHOUT HOLE, HUB | 1 |
| | | WASHER 19.5×34×1.5 | 1 |
| | | | |
| | | | |

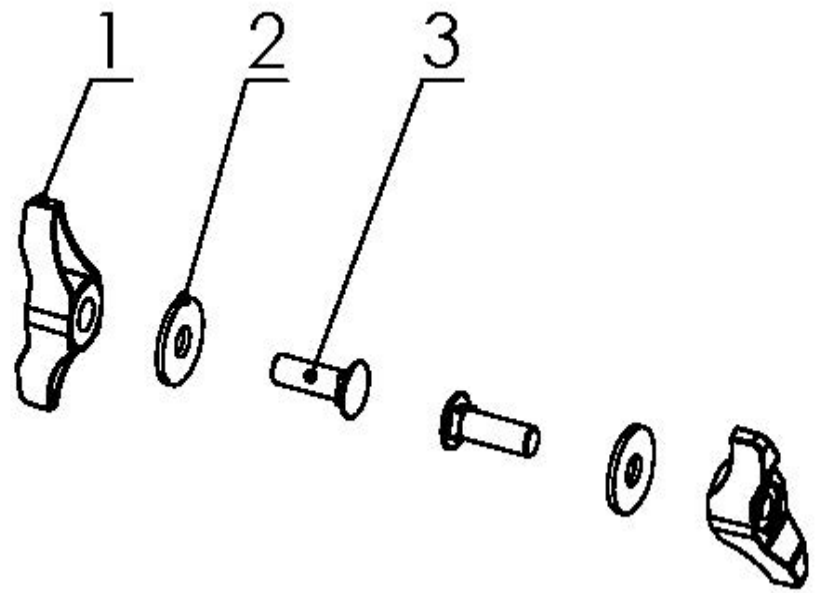
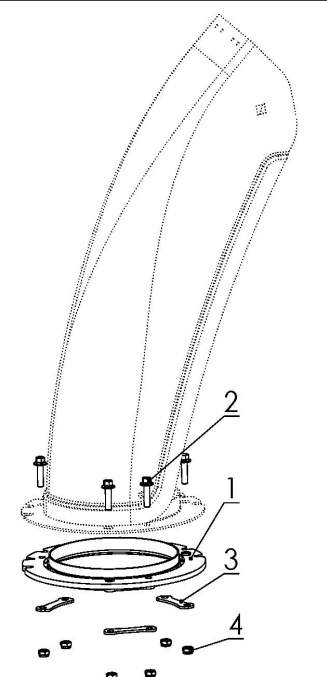
SNOW THROWER

| KIT PART NUMBER | KIT DESCRIPTION | CONTENTS DESCRIPTION | QTY |
|---|----------------------------------|--------------------------------|-----|
| 596016002 | LH WHEEL ASSEMBLY AND COMPONENTS | | |
|  | | TIRE 13×4.1-6 | 1 |
| | | HUB 13×4.1-6 | 1 |
| | | AIR VALVE | 1 |
| | | CAP AIR VALVE | 1 |
| | | SHAFT SLEEVE WITH HOLE, HUB | 1 |
| | | SHAFT SLEEVE WITHOUT HOLE, HUB | 1 |
| | | WASHER 19.5×34×1.5 | 1 |
| | | | |
| 596016101 | CLIK PIN WHEEL ATTACHMENT | | |
|  | | PIN 6×45 | 2 |
| | | | |
| | | | |
| | | | |
| | | | |
| | | | |
| | | | |
| | | | |
| | | | |
| | | | |
| | | | |
| | | | |
| | | | |
| | | | |
| | | | |

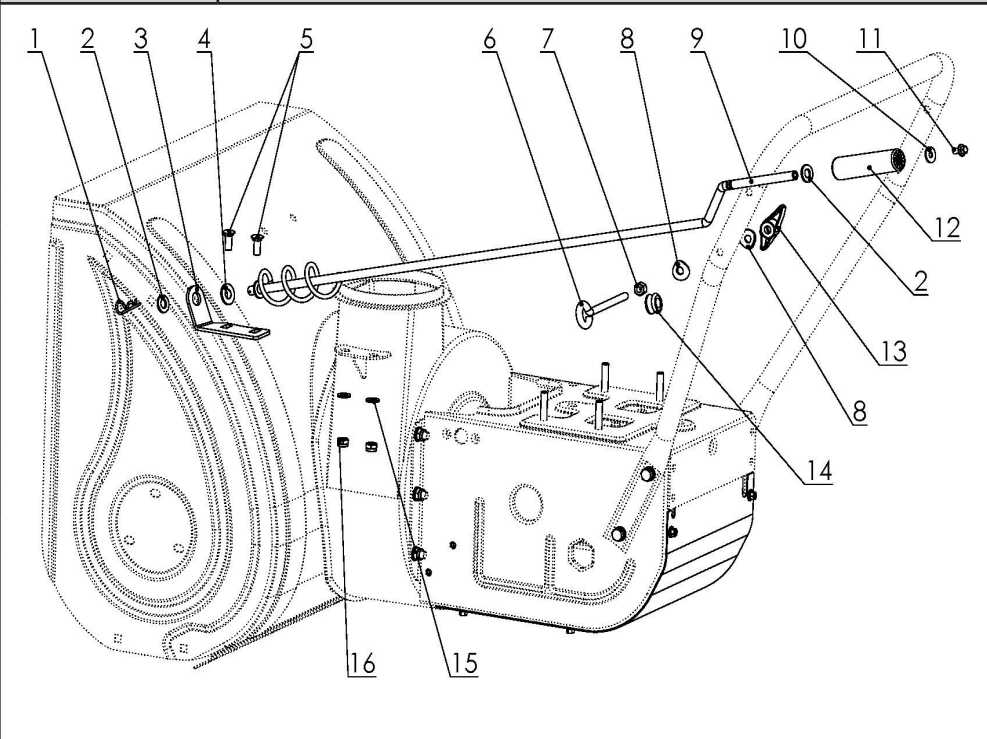
SNOW THROWER

| KIT PART NUMBER | KIT DESCRIPTION | CONTENTS DESCRIPTION | QTY |
|---|-------------------------|-----------------------|-----|
| 596016201 | BELT COVER AND HARDWARE | | |
|  | | BELT COVER | 1 |
| | | BOLT M6×12 | 2 |
| 596017602 | | CHUTE ASSEMBLY | |
|  | | RUBBER GASKET, CHUTE | 1 |
| | | BOLT 4×12 | 7 |
| | | CHUTE COVER | 1 |
| | | HINGE | 1 |
| | | CHUTE | 1 |
| | | WARNING LABEL(78×108) | 1 |
| | | | |
| | | | |
| | | | |
| | | | |
| | | | |
| | | | |
| | | | |
| | | | |
| | | | |
| | | | |
| | | | |
| | | | |
| | | | |
| | | | |
| | | | |
| | | | |
| | | | |
| | | | |
| | | | |

SNOW THROWER

| KIT PART NUMBER | KIT DESCRIPTION | CONTENTS DESCRIPTION | QTY |
|---|--------------------------|----------------------|-----|
| 596017701 | CHUTE DEFLECTOR WINGNUTS | WING NUT | 2 |
|  | | BIG WASHER | 2 |
| | | BOLT M8×25 | 2 |
| | | | |
| | | | |
| | | | |
| | | | |
| | | | |
| 596017801 | CHUTE RING AND HARDWARE | SHIM | 1 |
|  | | BOLT M6×22 | 6 |
| | | POSITION BOARD CHUTE | 3 |
| | | NUT M6 | 6 |
| | | | |
| | | | |
| | | | |
| | | | |

SNOW THROWER

| KIT PART NUMBER | KIT DESCRIPTION | CONTENTS DESCRIPTION | QTY |
|---|-------------------------------------|----------------------|-----|
| 596017901 | CHUTE ROTATOR HANDLE AND COMPONENTS | | |
|  | | CIRCLIP F | 1 |
| | | FLAT WASHER 10 | 2 |
| | | FIXED BOARD, ROTATOR | 1 |
| | | SEAT, ROTATOR | 1 |
| | | BOLT M8x20 | 2 |
| | | FIXED ROD, ROTATOR | 1 |
| | | NUT M8 | 1 |
| | | WASHER 8 | 2 |
| | | ROD | 1 |
| | | BIG WASHER | 1 |
| | | BOLT M6x12 | 1 |
| | | HANDLE BAR ROTATOR | 1 |
| | | LOCK NUT HANDLE | 1 |
| | | BUSH ROTATOR | 1 |
| | | FLAT WASHER 8 | 2 |
| | | NUT M8 | 8 |
| | | | |
| | | | |
| | | | |
| | | | |

REPAIR PARTS
SNOW THROWER

MODEL NO. **ST124** (97044930100), PRODUCT NO. 970 44 93 01



REPAIR PARTS
SNOW THROWER

MODEL NO. **ST124** (97044930100), PRODUCT NO. 970 44 93 01

